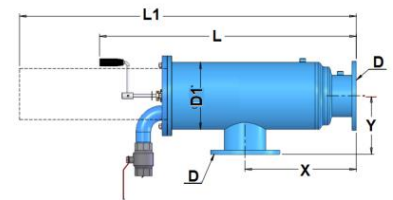


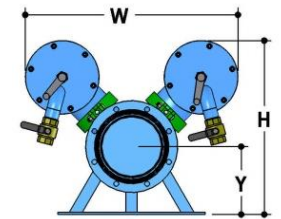
Applications: Semi –automatic suction filters

Standard Characteristics:

- **Filter element:** - Stainless Steel screen AISI 316, supported by a PVC cylinder .
- **Available filtration grades:** from 120 micron
- **Filter housing material of construction:** Carbon Steel ST37.2
- **Pre-treatment:** sand blasting up to Sa 2.5 grade
- **Exterior & Interior coating:** electrostatic oven baked polyester-epoxy powder coating with a thickness of 150-200 micron
- **Connections:** Victaulic and Flange
- **Maximum recommended working pressure:** up to 10 bar (145 psi).
- **Minimum operating working pressure during flushing:** 1 bar (14.5 psi)
- Equipped with pressure gauge which indicates the pressure difference of 5m
- **Clean screen pressure loss:** up to 0.1 bar (1.45psi)

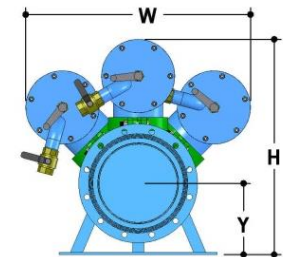


Model SA504S-SA508S



Model SA510S - (2*506S)

Model SA512S- (2*508S)



Model SA514S - (3*508S)

Operation:

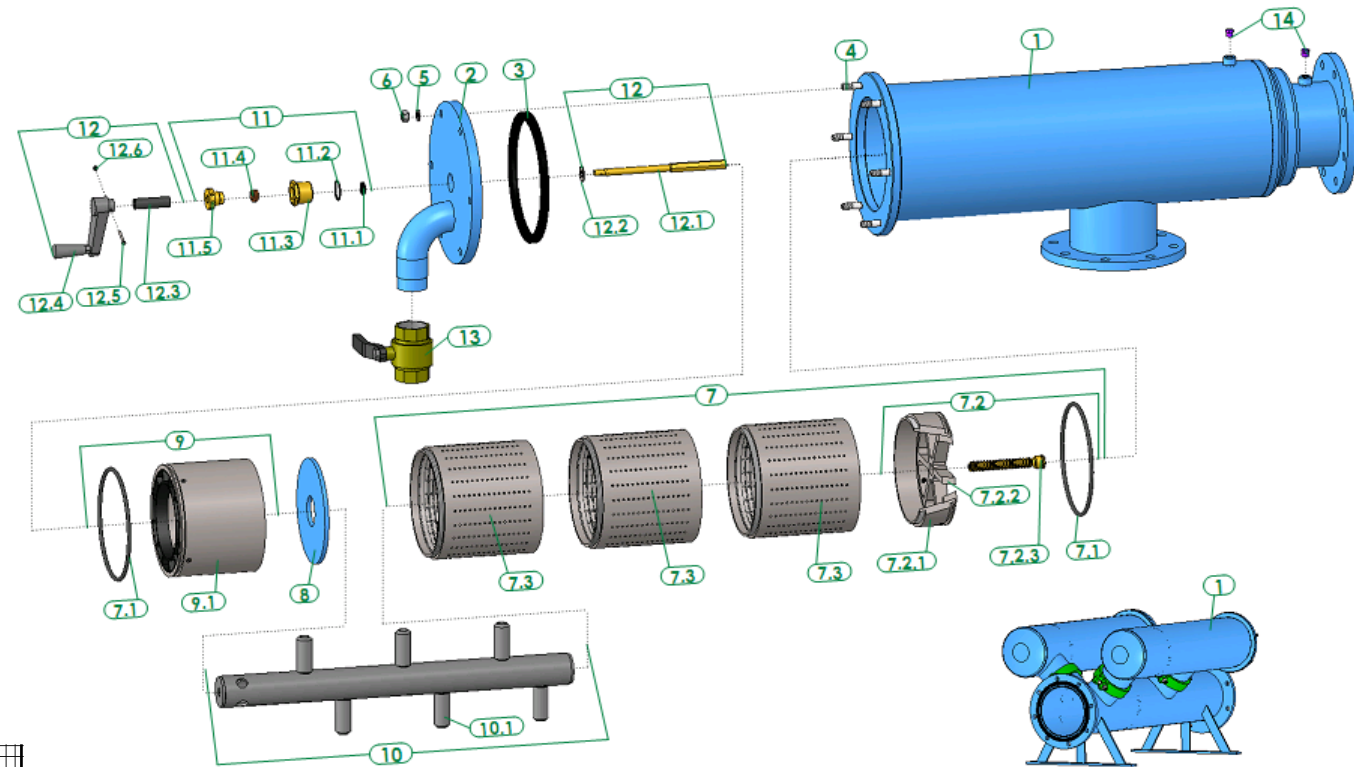
Water flows through the inlet along and through the cylindrical screen trapping the solids on the screen. The filter can be manually cleaned while still pressurized and without removing the screen. The operator cleans the screen by opening the flush valve and turning the handle, fully up and the back down. As a result the suction nozzles traverse the entire screen removing trapped debris. The whole process takes a few seconds.

Model	D In/Out (mm) (in)		D1 (in)	Max. recom. Flow rate (m ³ /h) (gpm)		X (mm) (in)	Y (mm)(in)	L (mm)(in)	L1 (mm) (in)	H (mm) (in)	W (mm) (in)	Shipping Weight (kg) (lb)		Packaging Volume L x W x H (m) (ft)							
SA504S	100	4	10	80	352	350	13.8	237	9.3	958	37.7	1400	55.1			83	183	1.1x0.6x0.6	3.5x2.0x2.1		
SA506S	150	6	10	150	660	450	17.7	237	9.3	1163	45.8	1800	70.9			102	225	1.3x0.6x0.6	4.4x2.0x2.1		
SA508S	200	8	10	250	1101	550	21.7	237	9.3	1361	53.6	2200	86.6			119	262	1.5x0.6x0.6	4.9x2.0x2.1		
SA510S	250	10	10	500	2202	1100	43.3	250	9.8	1421	55.9	2060	81.1	719	28.2	937	36.9	229	505	1.3x1.3x1.0	4.3x4.3x3.3
SA512S	300	12	12	600	2642	1200	47.3	280	11.0	1641	64.6	2480	97.6	767	30.2	973	38.3	262	578	1.5x1.3x1.0	4.9x4.3x3.3
SA514S	350	14	14	750	3302	1420	55.9	315	12.4	1861	73.3	2700	106.3	952	37.5	996	39.2	353	778	1.8x1.2x1.2	5.9x3.9x3.9

Maximum recommended Flow rate – 120 micron in good quality water

Components Description & Spare Parts ordering information

Description		Model					
		SA504S (4")	SA506S (6")	SA508S (8")	SA510S (10")	SA512S (12")	SA514S (14")
1	Filter body	N/A	N/A	N/A	N/A	N/A	N/A
2	Filter cover	N/A	N/A	N/A	N/A	N/A	N/A
3	U-Ring for cover	5311250100	5311250100	5311250100	5311250100	5311250100	5311250100
4	Stud	5292143001-048	5292143001-048	5292143001-048	5292143001-048	5292143001-048	5292143001-048
5	Washer	4121123001	4121123001	4121123001	4121123001	4121123001	4121123001
6	Nut	4112140401	4112140401	4112140401	4112140401	4112140401	4112140401
7	Fine screen	E7005602002-01##	E7005603001-01##	E7005604000-01##	E7005603001-01##	E7005604000-01##	E7005604000-01##
7.1	O-Ring	4081202100-445	4081202100-445	4081202100-445	4081202100-445	4081202100-445	4081202100-445
7.2	Upper screen adaptor	E5005600901-01	E5005600901-01	E5005600901-01	E5005600901-01	E5005600901-01	E5005600901-01
7.2.1	Upper screen adaptor	5005600901	5005600901	5005600901	5005600901	5005600901	5005600901
7.2.2	Screen wheel	5021600501	5021600501	5021600501	5021600501	5021600501	5021600501
7.2.3	Spiral drive shaft	5134391500	5134391500	5134391500	5134391500	5134391500	5134391500
7.3	Fine screen middle section	W5005600300-01##	W5005600300-01##	W5005600300-01##	W5005600300-01##	W5005600300-01##	W5005600300-01##
8	Flushing chamber plate	5023010502-P	5023010502-P	5023010502-P	5023010502-P	5023010502-P	5023010502-P
9	Flushing chamber	E5005601100-02	E5005601100-02	E5005601100-02	E5005601100-02	E5005601100-02	E5005601100-02
9.1	Flushing chamber	E5005601100-01	E5005601100-01	E5005601100-01	E5005601100-01	E5005601100-01	E5005601100-01
10	Dirt collector	E7103610400-01	E7103610600-01	E7103610800-01	E7103610600-01	E7103610800-01	E7103610800-01
10.1	Suction nozzle	5121610301	5121610301	5121610301	5121610301	5121610301	5121610301
11	Sealing rope housing	E5182391300-01	E5182391300-01	E5182391300-01	E5182391300-01	E5182391300-01	E5182391300-01
11.1	U-Ring	4082013100	4082013100	4082013100	4082013100	4082013100	4082013100
11.2	O-Ring	4081030100	4081030100	4081030100	4081030100	4081030100	4081030100
11.3	Sealing rope housing	5182391300	5182391300	5182391300	5182391300	5182391300	5182391300
11.4	Sealing rope	5319000900	5319000900	5319000900	5319000900	5319000900	5319000900
11.5	Tightening nut sealing rope	5181391300	5181391300	5181391300	5181391300	5181391300	5181391300
12	Driving handle + shaft	E5130391601-01	E5130391601-01	E5130391601-01	E5130391601-01	E5130391601-01	E5130391601-01
12.1	Connecting shaft	5136391601	5136391601	5136391601	5136391601	5136391601	5136391601
12.2	Washer	4121143001	4121143001	4121143001	4121143001	4121143001	4121143001
12.3	Sleeve	6046100000	6046100000	6046100000	6046100000	6046100000	6046100000
12.4	Driving handle	4820000000	4820000000	4820000000	4820000000	4820000000	4820000000
12.5	Bolt	4101043001-035	4101043001-035	4101043001-035	4101043001-035	4101043001-035	4101043001-035
12.6	Nut	4111043002	4111043002	4111043002	4111043002	4111043002	4111043002
13	Ball valve	4504020100-02	4504020100-02	4504020100-02	4504020100-02	4504020100-02	4504020100-02
14	Plug	4640314002	4640314002	4640314002	4640314002	4640314002	4640314002



Pressure loss at 120 micron

