

PRINCIP ČINNOSTI:

Při zanesení vnitřní plochy jemného síta se otevře proplachovací ventil a značně snížený tlak v proplachovací komoře a sběrači nečistot zahájí proces sání nečistot sacími tryskami. Elektromotor současně roztáčí sběrač nečistot okolo své osy a posouvá ho ve směru osy. Kombinace horizontálního pohybu a rotace zaručí účinné vyčištění celého síta. V průběhu celého proplachu není přerušena dodávka vody.

PITNÁ VODA • TECHNOLOGICKÁ VODA • ZAVLAŽOVÁNÍ • TERCIÁRNÍ DOČIŠTĚNÍ

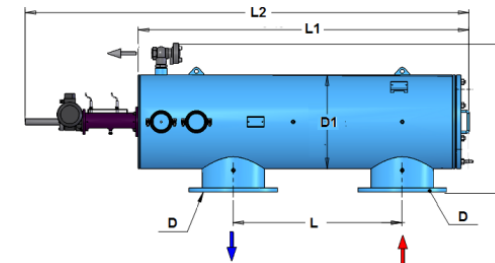
STANDARDNÍ SPECIFIKACE:

- Pohon filtru: elektrický motor 400V, 3fáze, 0.37kW, řídicí jednotka ELI01
- Jemnost filtrace: 10 - 3000µm
- Minimální provozní tlak při proplachu: 1bar
- Tlaková ztráta při proplachu: 0.5baru
- Maximální provozní tlak: 10barů
- Tlaková ztráta čistého síta: 0.1baru
- Spotřeba vody za proplachovací cyklus / doba proplachu: 42l / 15s
- Materiál filtračního síta: nerez 1.4404 [AISI316L] na PVC osnově
- Materiál těla filtru: ocel 1.0038 [ST37.2]
- Předúprava povrchu: tryskáním do stupně Sa 2½
- Povrchová úprava filtru: elektrostaticky vypalovaná
- polyester-epoxidová prášková barva o síle 150 - 200µm, RAL 5012
- Maximální teplota média: 65°C

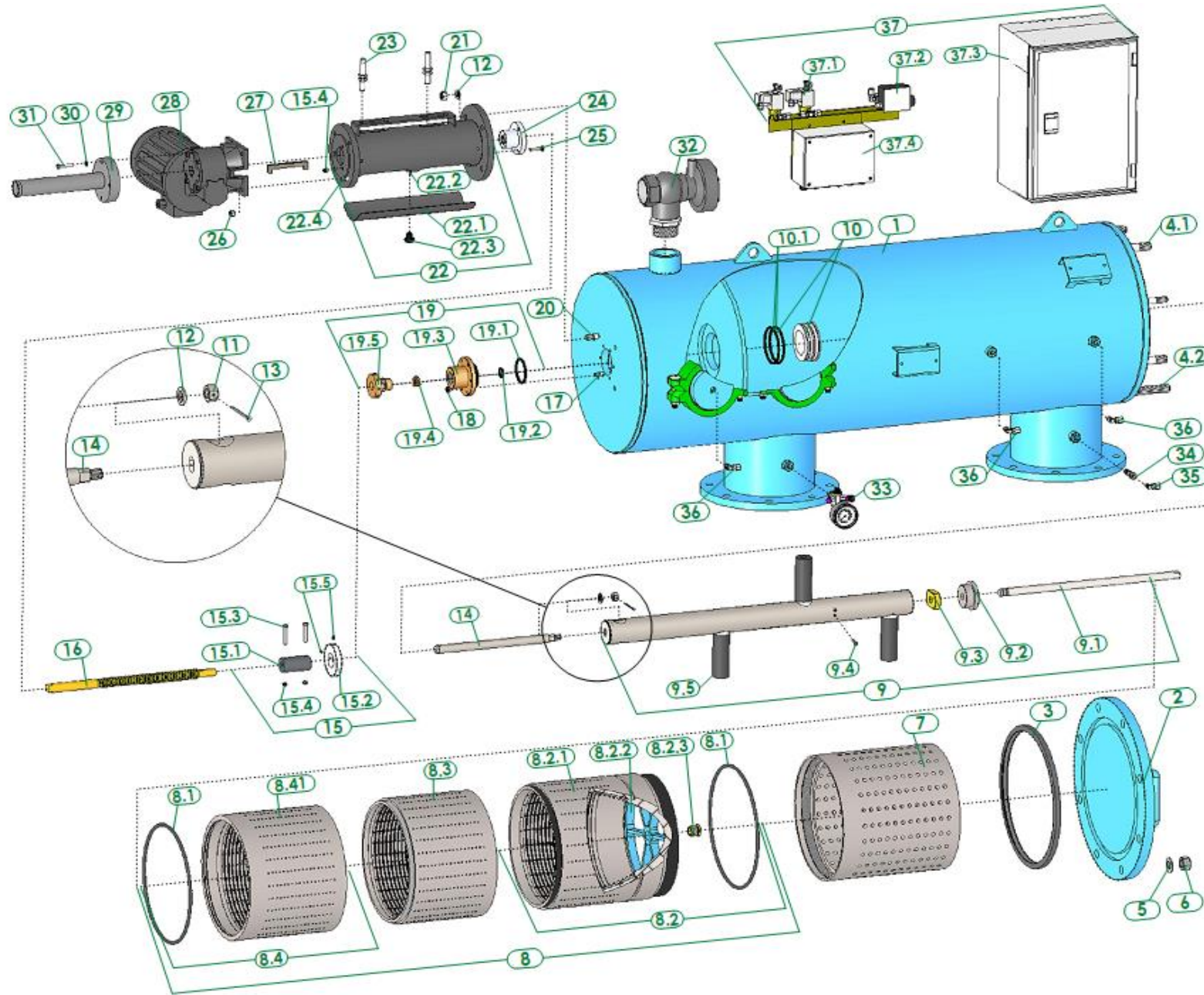
SPECIÁLNÍ VYBAVENÍ [NA PŘÁNÍ]:

Konstrukční materiál filtru SST304L, 316L, 316Ti, ... Filtr pro teplotu média 95°C, pro vysoký tlak 16, 25, 40bar.

Konstrukce do chladných klimatických podmínek [mrazu]. Ovládací napětí 110V, 230V, 1fáze. Vzduchem ovládaný filtr. Filtr s vertikálním uspořádáním vstup/výstup na ose 90° nebo 180°. Vícevrstvé nerezové síto.



Model	Připojení ØD (mm) (in)		ØD1 (in)	H (mm)	L (mm)	L1 (mm)	L2 (mm)	Hmotnost (kg)	Objem balení L*W*H (m)	Maximální Průtok (m ³ /h)	Plocha Síta (cm ²)	Proplachovací Průtok (m ³ /h)	Proplachovací Objem (m ³)
AF903	75	3	10	625	450	1108	1843	187	2.1x0.78x0.87	50	3220	25	0.104
AF904	100	4	10	625	600	1305	2040	203	2.3x0.78x0.87	80	4500	25	0.104
AF906	150	6	16	760	750	1410	2145	330	2.4x0.89x1.08	180	6330	25	0.104
AF908	200	8	18	810	750	1410	2145	378	2.4x0.89x1.08	350	7030	25	0.104
AF910	250	10	18	810	900	1934	2669	435	2.9x0.90x1.08	450	8970	25	0.104
AF912	300	12	18	810	1100	2182	2917	460	3.1x0.93x1.10	600	10920	25	0.104
AF914	350	14	24	965	900	1945	2680	620	3.1x1.10x1.23	850	11760	25	0.104
AF916	400	16	24	965	1100	2155	2895	670	3.2x1.10x1.23	1100	14310	25	0.104
AF916X	400	16	24	900	1270	2675	3415	750	3.5x1.13x1.23	1500	17020	25	0.104



AF903PR – AF910PR

Components Description & Spare Parts ordering information

Description		Model				
FILTER		AF903PR	AF904PR	AF906PR	AF908PR	AF910PR
FILTER BODY		3"	4"	6"	8"	10"
1	Filter body	N/A	N/A	N/A	N/A	
2	Filter Cover	N/A	N/A	N/A	N/A	
3	U-Ring for cover	5311250100	5311250100	5311400100	5311450100	5311450100
4.1	Stud	5292143001-048	5292143001-048	5292183001-073	5292183001-073	5292183001-073
4.2	Stud	---	---	5292183001-130	5292183001-130	5292183001-130
5	Washer	4121123001	4121123001	4121203001	4121203001	4121203001
6	Nut	4112140401	4112140401	4112180401	4112180401	4112180401
7	Coarse screen	E7005600100-01	E7005600100-01	E7006600100-01	E7007600100-01	E7007600200-01
8	Fine screen	E7005602006-01##	E7005603004-02##	E7006603002-01##	E7007603001-01##	E7007604000-01##
8.1	O-Ring	4081202100-445	4081202100-445	4081266100-450	4081291100-452	4081291100-452
8.2	Fine screen upper sec.	E5005600102-01##-05	E5005600102-01##-05	E5006600100-01##-03	E5007600100-01##-03	E5007600100-01##-03
8.2.1	Fine screen upper sec.	E5005600102-01##-06	E5005600102-01##-06	W5006600100-01##	W5007600100-01##	W5007600100-01##
8.2.2	Screen Wheel	5021640500	5021640500	5021010600-P	5021010700-P	5021010700-P
8.2.3	Screen bearing dirt col.	5172391800	5172391800	5172391800	5172391800	5172391800
8.3	Fine screen middle sec.	---	W5005600300-01##	W5006600300-01##	W5007600300-01##	W5007600300-01##
8.4	Fine screen lower sec.	E5005600201-01##-01	E5005600201-01##-01	E5006600200-01##-01	E5007600200-01##-01	E5007600200-01##-01
8.4.1	Fine screen lower sec.	W5005600201-01##	W5005600201-01##	W5006600200-01##	W5007600200-01##	W5007600200-01##
9	Dirt collector	E7103300200-01	E7103300300-01	E7103300301-01	E7103300302-01	E7103300401-01
9.1	Dirt collector shaft	5131301800	5131301800	5131301800	5131301800	5131301801
9.2	Dirt collector upper plug	5113610103	5113610103	5113610103	5113610103	5113610103
9.3	Dirt collector middle plug	5113390300	5113390300	5113390300	5113390300	5113390300
9.4	Attachment screw	4102043002-019	4102043002-019	4102043002-019	4102043002-019	4102043002-019
9.5	Suction nozzle	5121610308	5121610308	5121610309	5121610310	5121610310
10	Collector bearing	E5172626001	E5172626001	E5172626002	E5172626002	E5172626002
10.1	O-ring	4081066100-334	4081066100-334	4081081100-339	4081081100-339	4081081100-339
11	Nut + hole 4 mm	4112143001-01	4112143001-01	4112143001-01	4112143001-01	4112143001-01
12	Washer	4121123001	4121123001	4121123001	4121123001	4121123001
13	Split pin	4135020050	4135020050	4135020050	4135020050	4135020050
14	Connecting shaft	5136302001	5136302001	5136302001	5136302001	5136302001
15	Magnetic disc holder	E5204300001-01	E5204300001-01	E5204300001-01	E5204300001-01	E5204300001-01
15.1	Magnetic disc holder	5204300001	5204300001	5204300001	5204300001	5204300001
15.2	Magnetic disc	5204510001	5204510001	5204510001	5204510001	5204510001
15.3	Bolt hex head	4102103008-045	4102103008-045	4102103008-045	4102103008-045	4102103008-045
15.4	Nylock Nut	4112103002	4112103002	4112103002	4112103002	4112103002
15.5	Socket set screw	4101053004-025	4101053004-025	4101053004-025	4101053004-025	4101053004-025
16	Spiral drive shaft	5134362402	5134362402	5134362402	5134362402	5134362402

AF903PR – AF910PR

Components Description & Spare Parts ordering information

Description		Model				
FILTER		AF903PR	AF904PR	AF906PR	AF908PR	AF910PR
FILTER BODY		3"	4"	6"	8"	10"
17	Stud	5292113001-029	5292113001-029	5292113001-029	5292113001-029	5292113001-029
18	Nut	4112113901	4112113901	4112113901	4112113901	4112113901
19	Sealing rope housing	E5182392000-01	E5182392000-01	E5182392000-01	E5182392000-01	E5182392000-01
19.1	O-Ring	4081056100-331	4081056100-331	4081056100-331	4081056100-331	4081056100-331
19.2	U-Ring	4082020100	4082020100	4082020100	4082020100	4082020100
19.3	Sealing rope housing	5182392000	5182392000	5182392000	5182392000	5182392000
19.4	Sealing rope	5319000900	5319000900	5319000900	5319000900	5319000900
19.5	Tightening nut f/sealing rope	5181392000	5181392000	5181392000	5181392000	5181392000
20	stud	5292143001-043	5292143001-043	5292143001-043	5292143001-043	5292143001-043
21	Nut	4112140401	4112140401	4112140401	4112140401	4112140401
22	Motor adaptor	E5201010001-01	E5201010001-01	E5201010001-01	E5201010001-01	E5201010001-01
22.1	Motor adaptor cover	5201010002	5201010002	5201010002	5201010002	5201010002
22.2	Bolt	4101053001-015	4101053001-015	4101053001-015	4101053001-015	4101053001-015
22.3	Knob nut	4111063003	4111063003	4111063003	4111063003	4111063003
22.4	Socket screw	4102123004-030	4102123004-030	4102123004-030	4102123004-030	4102123004-030
23	Limit switch	8500235700	8500235700	8500235700	8500235700	8500235700
24	Spiral drive nut	6153101001	6153101001	6153101001	6153101001	6153101001
25	Bolt hex head	4102103008-032	4102103008-032	4102103008-032	4102103008-032	4102103008-032
26	Nut	4112123001	4112123001	4112123001	4112123001	4112123001
27	Gear key	5203300800	5203300800	5203300800	5203300800	5203300800
28	Motor 3 phase	E4060504300	E4060504300	E4060504300	E4060504300	E4060504300
29	Protection cover f/drive shaft	W5331610001-01	W5331610001-01	W5331610001-01	W5331610001-01	W5331610001-01
30	Washer	4121063001	4121063001	4121063001	4121063001	4121063001
31	Bolt	4101063001-040	4101063001-040	4101063001-040	4101063001-040	4101063001-040
32	Hydraulic valve	E4510020003-07-1M	E4510020003-07-1M	E4510020003-07-1M	E4510020003-07-1M	E4510020003-07-1M
33	Pressure gauge	CS11010020	CS11010020	CS11010020	CS11010020	CS11010020
34	Finger filter	4470010001	4470010001	4470010001	4470010001	4470010001
35	Male Elbow 1/8*8	4650618081	4650618081	4650618081	4650618081	4650618081
36	Male elbow ¼*8	4650614081	4650614081	4650614081	4650614081	4650614081
37	Controller ELI-01	CSE0100232402	CSE0100232402	CSE0100232402	CSE0100232402	CSE0100232402
37.1	Solenoid AC	4430131003	4430131003	4430131003	4430131003	4430131003
37.2	DP pressure switch unit	4410000004	4410000004	4410000004	4410000004	4410000004
37.3	Contro board ELI-01	8500010000	8500010000	8500010000	8500010000	8500010000
37.4	Junction box ELI-01 controller	8500010800	8500010800	8500010800	8500010800	8500010800

AF912PR – AF916XLOPR

Components Description & Spare Parts ordering information

Description		Model			
		AF912PR	AF914PR	AF916PR	AF916XLOPR
FILTER		12"	14"	16"	16"
FILTER BODY					
1	Filter body				
2	Filter Cover				
3	U-Ring for cover	5311450100	5311600100	5311600100	5311600100
4.1	Stud	5292183001-073	5292183001-080	5292183001-080	5292183001-080
4.2	Stud	5292183001-130	5292183001-130	5292183001-130	5292183001-130
5	Washer	4121203001	4121203001	4121203001	4121203001
6	Nut	4112180401	4112180401	4112180401	4112180401
7	Coarse screen	E7007600200-01	E7008600200-01	E7008600200-01	E7008600300-02
8	Fine screen	E7007605000-01##	E7008604001-01##	E7008605001-01##	E7008606001-03##
8.1	O-Ring	4081291100-452	4081380100-459	4081380100-459	4081380100-459
8.2	Fine screen upper sec.	E5007600100-01##-03	E5008600100-01##-03	E5008600100-01##-03	E5008600100-01##-03
8.2.1	Fine screen upper sec.	W5007600100-01##	W5007600100-01##	W5008600100-01##	W5008600100-01##
8.2.2	Screen Wheel	5021010700-P	5021010800-P	5021010800-P	5021010800-P
8.2.3	Screen bearing dirt col.	5172391800	5172391800	5172391800	5172391800
8.3	Fine screen middle sec.	W5007600300-01##	W5008600300-01##	W5008600300-01##	W5008600300-01##
8.4	Fine screen lower sec.	E5007600200-01##-01	E5008600200-01##-01	E5008600200-01##-01	E5008600200-01##-01
8.4.1	Fine screen lower sec.	W5007600200-01##	W5008600200-01##	W5008600200-01##	W5008600200-01##
9	Dirt collector	E7103300500-01	E7103300402-01	E7103300501-01	E7103300600-01
9.1	Dirt collector shaft	5131301801	5131301801	5131301801	5131301801
9.2	Dirt collector upper plug	5113610103	5113610103	5113610103	5113610103
9.3	Dirt collector middle plug	5113390300	5113390300	5113390300	5113390300
9.4	Attachment screw	4102043002-019	4102043002-019	4102043002-019	4102043002-019
9.5	Suction nozzle	5121610310	5121610311	5121610311	5121610311
10	Collector bearing	E5172626002	E5172626002	E5172626002	E5172626002
10.1	O-ring	4081081100-339	4081081100-339	4081081100-339	4081081100-339
11	Nut + hole 4 mm	4112143001-01	4112143001-01	4112143001-01	4112143001-01
12	Washer	4121123001	4121123001	4121123001	4121123001
13	Split pin	4135020050	4135020050	4135020050	4135020050
14	Connecting shaft	5136302001	5136302001	5136302001	5136302001
15	Magnetic disc holder	E5204300001-01	E5204300001-01	E5204300001-01	E5204300001-01
15.1	Magnetic disc holder	5204300001	5204300001	5204300001	5204300001
15.2	Magnetic disc	5204510001	5204510001	5204510001	5204510001
15.3	Bolt hex head	4102103008-045	4102103008-045	4102103008-045	4102103008-045
15.4	Nylock Nut	4112103002	4112103002	4112103002	4112103002
15.5	Socket set screw	4101053004-025	4101053004-025	4101053004-025	4101053004-025
16	Spiral drive shaft	5134362402	5134362402	5134362402	5134362402

AF912PR – AF916XLOPR

Components Description & Spare Parts ordering information

Description		Model			
FILTER		AF912PR	AF914PR	AF916PR	AF916XLOPR
FILTER BODY		12"	14"	16"	16"
17	Stud	5292113001-029	5292113001-029	5292113001-029	5292113001-029
18	Nut	4112113901	4112113901	4112113901	4112113901
19	Sealing rope housing	E5182392000-01	E5182392000-01	E5182392000-01	E5182392000-01
19.1	O-Ring	4081056100-331	4081056100-331	4081056100-331	4081056100-331
19.2	U-Ring	4082020100	4082020100	4082020100	4082020100
19.3	Sealing rope housing	5182392000	5182392000	5182392000	5182392000
19.4	Sealing rope	5319000900	5319000900	5319000900	5319000900
19.5	Tightening nut f/sealing rope	5181392000	5181392000	5181392000	5181392000
20	stud	5292143001-043	5292143001-043	5292143001-043	5292143001-043
21	Nut	4112140401	4112140401	4112140401	4112140401
22	Motor adaptor	E5201010001-01	E5201010001-01	E5201010001-01	E5201010001-01
22.1	Motor adaptor cover	5201010002	5201010002	5201010002	5201010002
22.2	Bolt	4101053001-015	4101053001-015	4101053001-015	4101053001-015
22.3	Knob nut	4111063003	4111063003	4111063003	4111063003
22.4	Socket screw	4102123004-030	4102123004-030	4102123004-030	4102123004-030
23	Limit switch	8500235700	8500235700	8500235700	8500235700
24	Spiral drive nut	6153101001	6153101001	6153101001	6153101001
25	Bolt hex head	4102103008-032	4102103008-032	4102103008-032	4102103008-032
26	Nut	4112123001	4112123001	4112123001	4112123001
27	Gear key	5203300800	5203300800	5203300800	5203300800
28	Motor 3 phase	E4060504300	E4060504300	E4060504300	E4060504300
29	Protection cover f/drive shaft	W5331610001-01	W5331610001-01	W5331610001-01	W5331610001-01
30	Washer	4121063001	4121063001	4121063001	4121063001
31	Bolt	4101063001-040	4101063001-040	4101063001-040	4101063001-040
32	Hydraulic valve	E4510020003-07-1M	E4510020003-07-1M	E4510020003-07-1M	E4510020003-07-1M
33	Pressure gauge	CS11010020	CS11010020	CS11010020	CS11010020
34	Finger filter	4470010001	4470010001	4470010001	4470010001
35	Male Elbow 1/8*8	4650618081	4650618081	4650618081	4650618081
36	Male elbow ¼*8	4650614081	4650614081	4650614081	4650614081
37	Controller ELI-01	CSE0100232402	CSE0100232402	CSE0100232402	CSE0100232402
37.1	Solenoid AC	4430131003	4430131003	4430131003	4430131003
37.2	DP pressure switch unit	4410000004	4410000004	4410000004	4410000004
37.3	Contro board ELI-01	8500010000	8500010000	8500010000	8500010000
37.4	Junction box ELI-01 controller	8500010800	8500010800	8500010800	8500010800