

PRINCIP ČINNOSTI:

Při zanesení vnitřní plochy jemného síta se otevře proplachovací ventil a značně snížený tlak v proplachovací komoře a sběrači nečistot zahájí proces sání nečistot sacími tryskami. Elektromotor roztáčí sběrač nečistot okolo své osy a píst ho posouvá ve směru osy. Píst odebírá pro svůj pohyb energii z tlaku vody. Kombinace horizontálního pohybu a rotace zaručí účinné vyčištění celého síta. V průběhu celého proplachu není přerušena dodávka vody.



PITNÁ VODA • TECHNOLOGICKÁ VODA • ZAVLAŽOVÁNÍ • TERCIÁRNÍ DOČIŠTĚNÍ

STANDARDNÍ SPECIFIKACE:

- Pohon filtru: elektrický motor 400V, 3fáze, 0.37kW, řídicí jednotka ELI02
- Jemnost filtrace: 50 - 3000µm
- Minimální provozní tlak při proplachu: 1.5baru
- Tlaková ztráta při proplachu: 0.5baru
- Maximální provozní tlak: 10barů
- Tlaková ztráta čistého síta: 0.1baru
- Spotřeba vody za proplachovací cyklus / doba proplachu: 85l / 10s
- Materiál filtračního síta: nerez 1.4404 [AISI316L] na PVC osnově
- Materiál těla filtru: ocel 1.0038 [ST37.2]
- Předúprava povrchu: tryskáním do stupně Sa 2½
- Povrchová úprava filtru: elektrostaticky vypalovaná polyester-epoxidová
- prášková barva o síle 150 - 200µm, RAL 5012
- Maximální teplota média: 65°C

SPECIÁLNÍ VYBAVENÍ [NA PŘÁNÍ]:

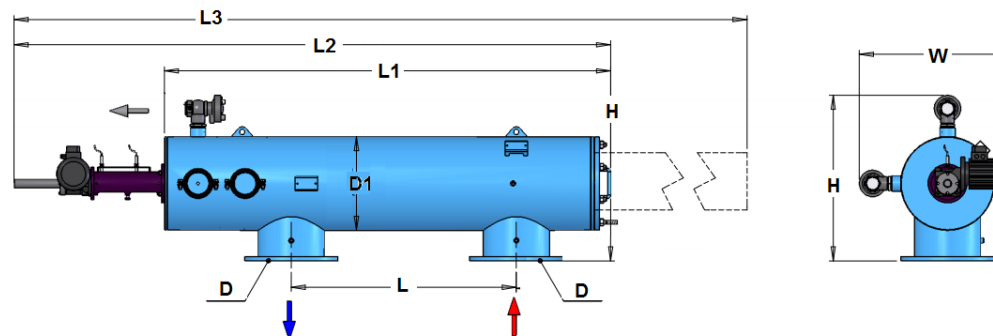
Konstrukční materiál filtru SST304L, 316L, 316Ti, ...Filtr pro teplotu média 95°C, pro vysoký tlak 16, 25, 40bar. Konstrukce do chladných klimatických podmínek [mrazu]. Ovládací napětí 110V, 230V, 1fáze. Vícevrstvé nerezové síto.

Dimensions & Weight

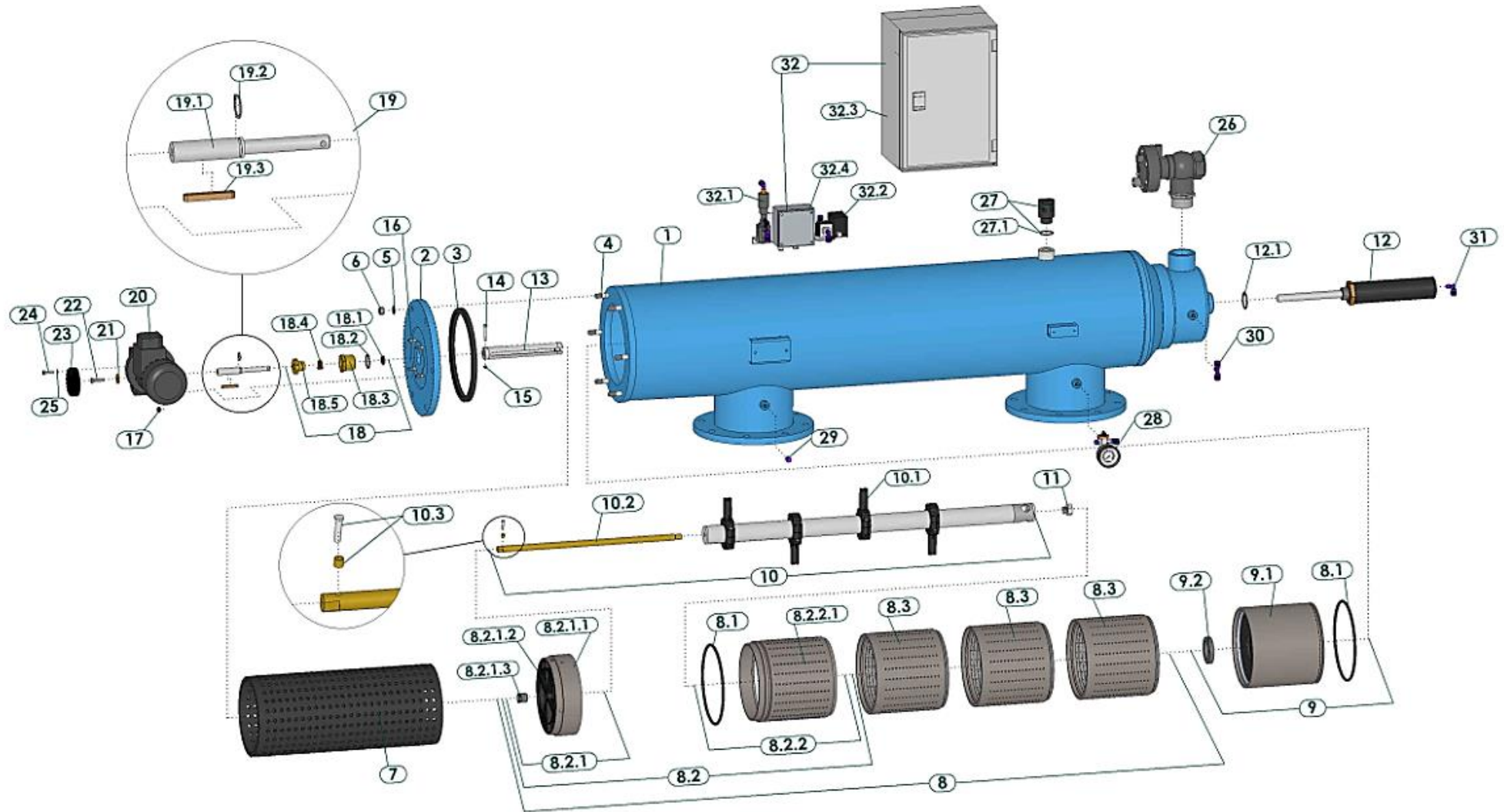
Model	Připojení ØD (mm) (in)		ØD1 (in)	H (mm)	L (mm)	L1 (mm)	L2 (mm)	L3 (mm)	W (mm)	Hmotnost (kg)	Objem balení L*W*H (m)	Maximální Průtok (m ³ /h)	Plocha Síta (cm ²)	Proplachovací Průtok (m ³ /h)	Proplachovací Objem (m ³)
AF9803N	75	3	10	545	450	1227	1473	2040	430	128	0.87x0.6x1.6	50	3220	30	0.083
AF9804NL	100	4	10	545	900	1623	1873	2820	430	153	0.77x0.6x2.0	80	5780	30	0.083
AF9804NX	100	4	10	545	900	2019	2265	3620	430	172	0.77x0.6x2.4	100	8410	30	0.083
AF9806NL	150	6	12	580	900	1692	1938	2890	430	165	0.77x0.6x2.4	150	5780	30	0.083
AF9806NX	150	6	10	555	900	2089	2335	3680	430	175	0.77x0.6x2.4	160	8410	30	0.083
AF9808NL	200	8	12	580	900	2278	2524	3870	430	186	0.77x0.6x2.4	300	8410	30	0.083
AF9808NR	200	8	12	580	900	1882	2128	3075	430	205	0.87x0.63x2.6	300	8410	30	0.083
AF9810NL	250	10	14	595	900	2282	2528	3870	470	230	0.87x0.63x2.6	400	8410	30	0.083
AF9810R	250	10	16	720	1100	2047	2493	3940	492			400	8410	30	0.083
AF9810X	250	10	16	720	1100	2787	3233	5420	492	423	1.0x0.83x3.4	400	8410	30	0.083
AF9812R	300	12	16	655	1100	2787	3233	5420	518	428	1.0x0.83x3.4	600	11710	30	0.083
AF9814R	350	14	18	770	1270	2787	3233	5420	579	500	1.0x0.83x3.4	900	12990	30	0.083
AF9816R	400	16	18	770	1270	2787	3233	5420	604	518	1.0x0.83x3.4	1100	12990	30	0.083
AF9816X	400	16	24	925	1270	2792	3238	5420	696	713	1.2x0.98x3.4	1500	17020	30	0.083

* | Maximální průtok platí pro kvalitní vodu při jemnosti filtrace 120µm

** | Proplachovací průtok platí pro minimální provozní tlak [1.5 baru]



Model AF9800N



Model AF9803NL - AF9806NL

Description		Filter Model			
		AF9803NL	AF9804NL	AF9804NX	AF9806NL
FILTER					
1	Filter body	N/A	N/A	N/A	N/A
2	Filter cover	N/A	N/A	N/A	N/A
3	U-Ring for cover	5311250100	5311250100	5311250100	5311250100
4	Stud	5292143001-048	5292143001-048	5292143001-048	5292143001-048
5	Washer	4121123001	4121123001	4121123001	4121123001
6	Nut	4112140401	4112140401	4112140401	4112140401
7	Coarse screen	E7005600101-01	E7005600101-01	E7005600101-01	E7005600103-01
8	Fine screen	E7005602005-02##	E7005604003-02##	E7005604003-02##	E7005604003-02##
8.1	O-Ring	4081202100-445	4081202100-445	4081202100-445	4081202100-445
8.2	Fine screen upper section	E5005600102-01##-03	E5005600102-01##-03	E5005600102-01##-03	E5005600102-01##-03
8.2.1	Upper screen adaptor	E5005600902-03	E5005600902-03	E5005600902-03	E5005600902-03
8.2.1.1	Upper screen adaptor	5005600902	5005600902	5005600902	5005600902
8.2.1.2	Screen wheel	5021640500	5021640500	5021640500	5021640500
8.2.1.3	Screen bearing for shaft	5172301700	5172301700	5172301700	5172301700
8.2.2	Fine screen upper section	E5005600102-01##-01	E5005600102-01##-01	E5005600102-01##-01	E5005600102-01##-01
8.2.2.1	Fine screen upper section	W5005600102-01##	W5005600102-01##	W5005600102-01##	W5005600102-01##
8.3	Fine screen middle section	W5005600300-01##	W5005600300-01##	W5005600300-01##	W5005600300-01##
9	Flushing chamber	E5005601101-01	E5005601101-01	E5005601101-01	E5005601101-01
9.1	Flushing chamber	W5005601101-01	W5005601101-01	W5005601101-01	W5005601101-01
9.2	Bearing for dirt collector	5172635000	5172635000	5172635000	5172635000
10	Dirt collector	E7102300200-01	E7102300400-01	E7102300600-01	E7102300400-01
10.1	Suction nozzle	E5122670302	E5122670302	E5122670302	E5122670302
10.2	Dirt collector shaft	5131391709	5131391709	5131391709	5131391710
10.3	Drive bolt	E6163101001-01	E6163101001-01	E6163101001-01	E6163101001-01
11	Head collector bearing	W5173390002-01	W5173390002-01	W5173390002-01	W5173390002-01
12	Hydraulic piston*	E7160406300	E7160406300	E7160406300	E7160406300
12.1	O-Ring	4081040100-223	4081040100-223	4081040100-223	4081040100-223
13	Drive tube	W6073001001-01	W6073001001-01	W6073001001-01	W6073001001-01
14	Bolt	6163100503	6163100503	6163100503	6163100503
15	Nut	4111053002	4111053002	4111053002	4111053002
16	Stud	5292113001-029	5292113001-029	5292113001-029	5292113001-029
17	Nut	4112113901	4112113901	4112113901	4112113901

Model AF9803NL - AF9806NL

Description		Filter Model			
		AF9803NL	AF9804NL	AF9804NX	AF9806NL
FILTER					
18	Sealing rope housing	E5182391300-01	E5182391300-01	E5182391300-01	E5182391300-01
18.1	U-Ring	4082013100	4082013100	4082013100	4082013100
18.2	O-Ring	4081030100	4081030100	4081030100	4081030100
18.3	Sealing rope housing	5182391300	5182391300	5182391300	5182391300
18.4	Sealing rope	5319000900	5319000900	5319000900	5319000900
18.5	Tightening nut for sealing rope	5181391300	5181391300	5181391300	5181391300
19	Gear drive shaft	E5133301901-01	E5133301901-01	E5133301901-01	E5133301901-01
19.1	Gear drive shaft	5133301901	5133301901	5133301901	5133301901
19.2	External retaining ring	4133205001	4133205001	4133205001	4133205001
19.3	Gear key	5203390602	5203390602	5203390602	5203390602
20	Motor 3 phase	E4060251000	E4060251000	E4060251000	E4060251000
21	Washer	6143902301	6143902301	6143902301	6143902301
22	Bolt	4102113001-020	4102113001-020	4102113001-020	4102113001-020
23	Motor cover	5331630001	5331630001	5331630001	5331630001
24	Bolt	4101063001-025	4101063001-025	4101063001-025	4101063001-025
25	Washer	4121063001	4121063001	4121063001	4121063001
26	Hydraulic valve	E4510020003-07-1M	E4510020003-07-1M	E4510020003-07-1M	E4510020003-07-1M
27	Short distributor	E5412036301-01	E5412036301-01	E5412036301-01	E5412036301-01
27.1	O-Ring	4081034100-126	4081034100-126	4081034100-126	4081034100-126
28	Pressure gauge	CS11010015	CS11010015	CS11010015	CS11010015
29	Plug	4640314002	4640314002	4640314002	4640314002
30	Male branch T	4640214082	4640214082	4640214082	4640214082
31	Male elbow	4640618082	4640618082	4640618082	4640618082
32	Controller ELI-02	CSE0200114403	CSE0200114403	CSE0200114403	CSE0200114403
32.1	Solenoid AC	4430030901	4430030901	4430030901	4430030901
32.2	DP pressure switch unit	4410000004	4410000004	4410000004	4410000004
32.3	Control board ELI-02	8500010100-03	8500010100-03	8500010100-03	8500010100-03
32.4	Junction box for ELI-02	8500010801	8500010801	8500010801	8500010801

Model AF9806NX - AF9810NL

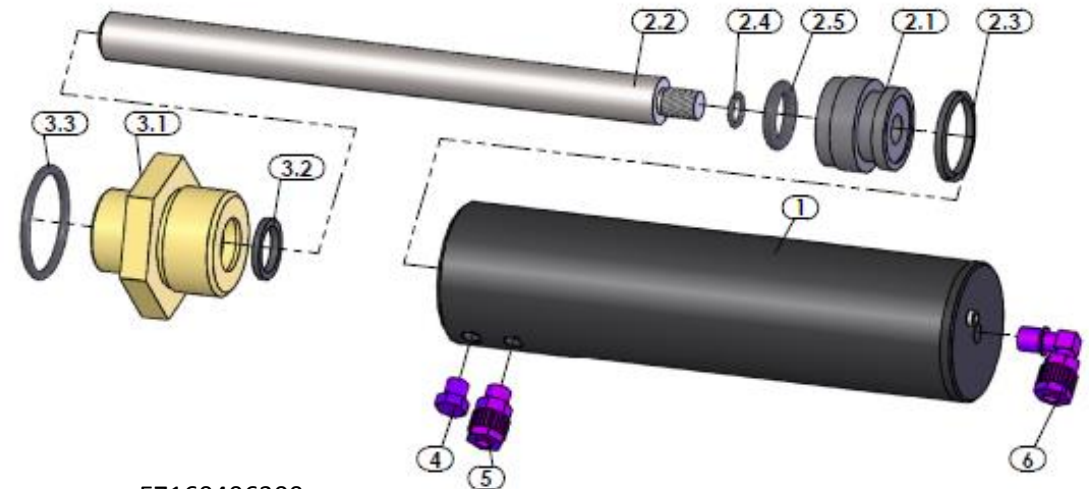
Description		Filter Model			
		AF9806NX	AF9808NR	AF9808NL	AF9810NL
FILTER					
1	Filter body	N/A	N/A	N/A	N/A
2	Filter cover	N/A	N/A	N/A	N/A
3	U-Ring for cover	5311250100	5311250100	5311250100	5311250100
4	Stud	5292143001-048	5292143001-048	5292143001-048	5292143001-055
5	Washer	4121123001	4121123001	4121123001	4121123001
6	Nut	4112140401	4112140401	4112140401	4112140401
7	Coarse screen	E7005600103-01	E7005600105-01	E7005600105-01	E7005600105-01
8	Fine screen	E7005606000-02##	E7005606000-02##	E7005606000-02##	E7005606000-02##
8.1	O-Ring	4081202100-445	4081202100-445	4081202100-445	4081202100-445
8.2	Fine screen upper section	E5005600102-01##-03	E5005600102-01##-03	E5005600102-01##-03	E5005600102-01##-03
8.2.1	Upper screen adaptor	E5005600902-03	E5005600902-03	E5005600902-03	E5005600902-03
8.2.1.1	Upper screen adaptor	5005600902	5005600902	5005600902	5005600902
8.2.1.2	Screen wheel	5021640500	5021640500	5021640500	5021640500
8.2.1.3	Screen bearing for shaft	5172301700	5172301700	5172301700	5172301700
8.2.2	Fine screen upper section	E5005600102-01##-01	E5005600102-01##-01	E5005600102-01##-01	E5005600102-01##-01
8.2.2.1	Fine screen upper section	W5005600102-01##	W5005600102-01##	W5005600102-01##	W5005600102-01##
8.3	Fine screen middle section	W5005600300-01##	W5005600300-01##	W5005600300-01##	W5005600300-01##
9	Flushing chamber	E5005601101-01	E5005601101-01	E5005601101-01	E5005601101-01
9.1	Flushing chamber	W5005601101-01	W5005601101-01	W5005601101-01	W5005601101-01
9.2	Bearing for dirt collector	5172635000	5172635000	5172635000	5172635000
10	Dirt collector	E7102300600-01	E7102300400-01	E7102300600-01	E7102300600-01
10.1	Suction nozzle	E5122670302	E5122670302	E5122670302	E5122670302
10.2	Dirt collector shaft	5131391710	5131391711	5131391711	5131391713
10.3	Drive bolt	E6163101001-01	E6163101001-01	E6163101001-01	E6163101001-01
11	Head collector bearing	W5173390002-01	W5173390002-01	W5173390002-01	W5173390002-01
12	Hydraulic piston*	E7160406300	E7160406300	E7160406300	E7160406300
12.1	O-Ring	4081040100-223	4081040100-223	4081040100-223	4081040100-223
13	Drive tube	W6073001001-01	W6073001001-01	W6073001001-01	W6073001001-01
14	Bolt	6163100503	6163100503	6163100503	6163100503
15	Nut	4111053002	4111053002	4111053002	4111053002
16	Stud	5292113001-029	5292113001-029	5292113001-029	5292113001-029
17	Nut	4112113901	4112113901	4112113901	4112113901

Model AF9806NX - AF9810NL

Description		Filter Model			
		AF9806NX	AF9808NR	AF9808NL	AF9810NL
FILTER					
18	Sealing rope housing	E5182391300-01	E5182391300-01	E5182391300-01	E5182391300-01
18.1	U-Ring	4082013100	4082013100	4082013100	4082013100
18.2	O-Ring	4081030100	4081030100	4081030100	4081030100
18.3	Sealing rope housing	5182391300	5182391300	5182391300	5182391300
18.4	Sealing rope	5319000900	5319000900	5319000900	5319000900
18.5	Tightening nut for sealing rope	5181391300	5181391300	5181391300	5181391300
19	Gear drive shaft	E5133301901-01	E5133301901-01	E5133301901-01	E5133301901-01
19.1	Gear drive shaft	5133301901	5133301901	5133301901	5133301901
19.2	External retaining ring	4133205001	4133205001	4133205001	4133205001
19.3	Gear key	5203390602	5203390602	5203390602	5203390602
20	Motor 3 phase	E4060251000	E4060251000	E4060251000	E4060251000
21	Washer	6143902301	6143902301	6143902301	6143902301
22	Bolt	4102113001-020	4102113001-020	4102113001-020	4102113001-020
23	Motor cover	5331630001	5331630001	5331630001	5331630001
24	Bolt	4101063001-025	4101063001-025	4101063001-025	4101063001-025
25	Washer	4121063001	4121063001	4121063001	4121063001
26	Hydraulic valve	E4510020003-07-1M	E4510020003-07-1M	E4510020003-07-1M	E4510020003-07-1M
27	Short distributor	E5412036301-01	E5412036301-01	E5412036301-01	E5412036301-01
27.1	O-Ring	4081034100-126	4081034100-126	4081034100-126	4081034100-126
28	Pressure gauge	CS11010015	CS11010015	CS11010015	CS11010015
29	Plug	4640314002	4640314002	4640314002	4640314002
30	Male branch T	4640214082	4640214082	4640214082	4640214082
31	Male elbow	4640618082	4640618082	4640618082	4640618082
32	Controller ELI-02	CSE0200114403	CSE0200114403	CSE0200114403	CSE0200114403
32.1	Solenoid AC	4430030901	4430030901	4430030901	4430030901
32.2	DP pressure switch unit	4410000004	4410000004	4410000004	4410000004
32.3	Control board ELI-02	8500010100-03	8500010100-03	8500010100-03	8500010100-03
32.4	Junction box for ELI-02	8500010801	8500010801	8500010801	8500010801

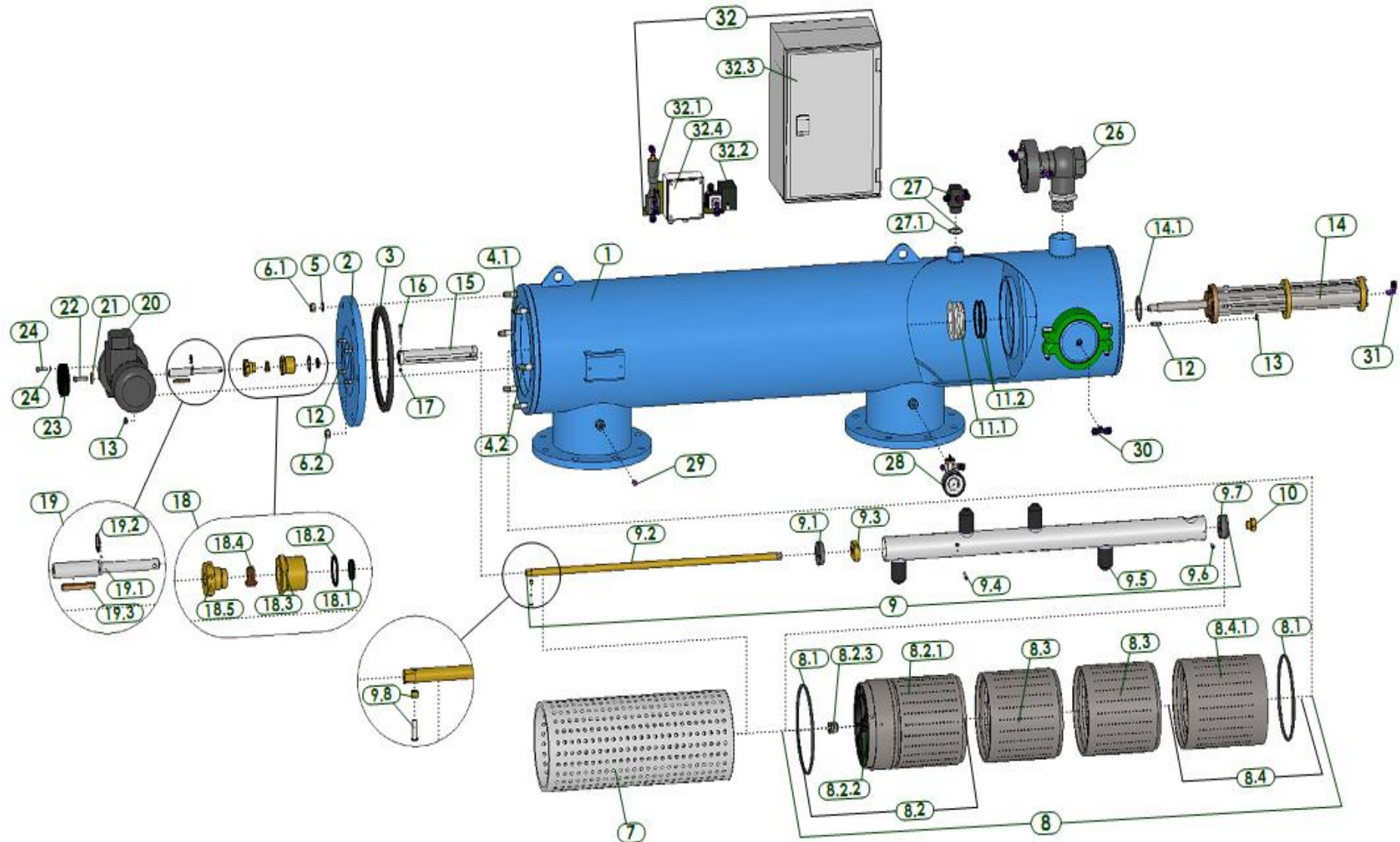
Piston for Model AF9800N

Filter Model		AF9800N
Hydraulic Piston		E7160406300
1	Piston 40 cylinder	E5161634001-01
2	Piston 40 head	E5163634001-01
2.1	Piston 40 head	5163634001
2.2	Axis for piston	5132302002
2.3	U-ring	4082030100
2.4	O-Ring	4081010100-013
2.5	O-Ring	4081018100-314
3	Piston 40 adaptor	E5164394001-01
3.1	Piston 40 adaptor metal	5164394001
3.2	U-Ring	4082020100
3.3	O-Ring	4081040100-223
4	Connector	4640318002
5	Male connector plastic	4640718085
6	Male elbow plastic	4640618082



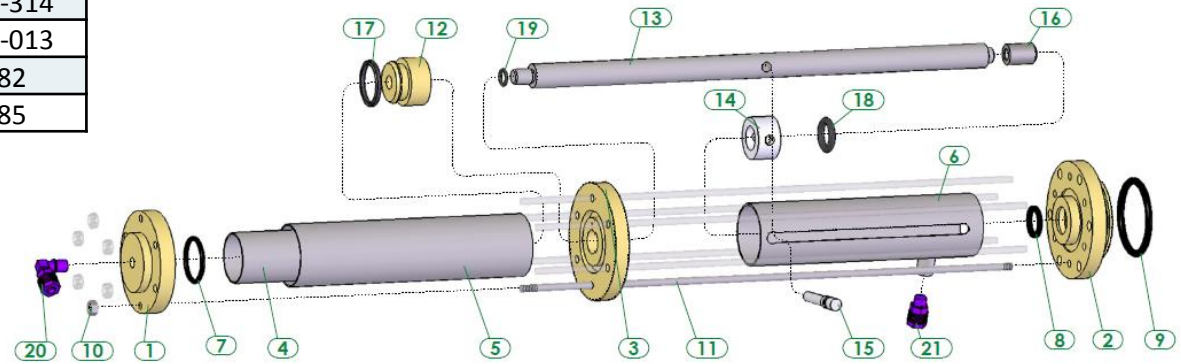
E7160406300
Modelo AF9800N

Model AF9800



Piston for Model AF9800

Filter Model		AF9800
Hydraulic Piston		E7160403000
1	Piston 40 cylinder plug	5162394001
2	Piston 40/50 adaptor	5164395002
3	Piston 40/50 middle plug	5162395003
4	Piston 40/50 cylinder	5161304001
5	Piston 40 cylinder cover	5161304002
6	Piston 40/50 anti rotation pin housing	W5161305001-01
7	O-Ring 219	4081032100-219
8	U-ring 20*28*5	4082020100
9	O-Ring 331	408156100-331
10	Nut ¼"	4112103001
11	Stud ¼"	5292103001-441
12	Piston 40 head	5163394002
13	Axis 20mm for piston 40/50	5132302001
14	Piston 40/50 anti rotation pin bushing	5160315002
15	Piston 40/50 anti rotation pin	5160315001
16	Piston 40/50 axis piston bearing	5173300002
17	U-Ring 30*40*7	4082030100
18	O-Ring 314	4081018100-314
19	O-Ring 11*2	4081010100-013
20	Male elbow 1/8*8	4640618082
21	Male connector 1/8*8	4640718085



E7160403000
Model AF9800