

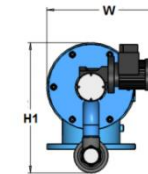
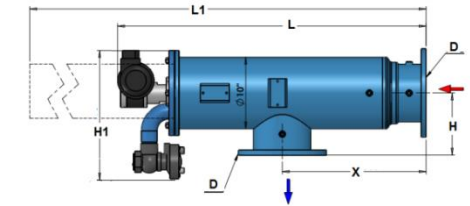
**Applications:** Compact screen filters with automatic back flushing

**Standard Characteristics:**

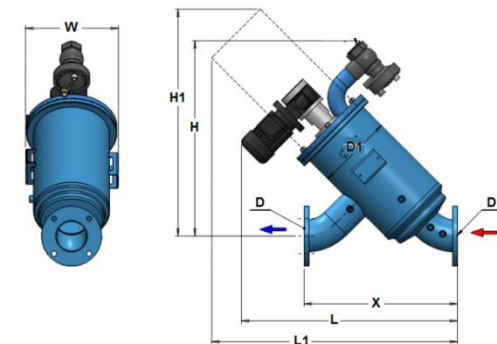
- **Filter element:** - Stainless Steel screen AISI 316 mesh, supported by a PVC cylinder.  
Optional – multi layered Stainless Steel Screen
- **Available filtration:** from 200-3000 micron
- **Filter housing material of construction:** Carbon Steel ST37.2
- **Pre-treatment:** sand blasting up to Sa 2.5 grade
- **Exterior & Interior coating:** electrostatic oven baked polyester-epoxy powder coating with a thickness of 150-200 micron
- **Connections:** VIC, Threaded socket and Flange
- **Maximum recommended working pressure:** up to 10 bar (145 psi).
- **Minimum operating working pressure during flushing:** 1 bar (14.5 psi)
- Equipped with an electronic control system 110V, 220V or 380-440V 3-phase, 0,25 HP

**Operation:**

Cleaning of the screen is performed automatically once the pressure loss ( $\Delta P$ ) across the filter has reached the preset value up to 0.5 bar (7psi). The flushing valve opens, and debris laden water is discharged through the flushing valve. The electric motor rotates the Brushes and as a result the brushes traverse the entire screen removing trapped debris. The entire process lasts for just a few seconds



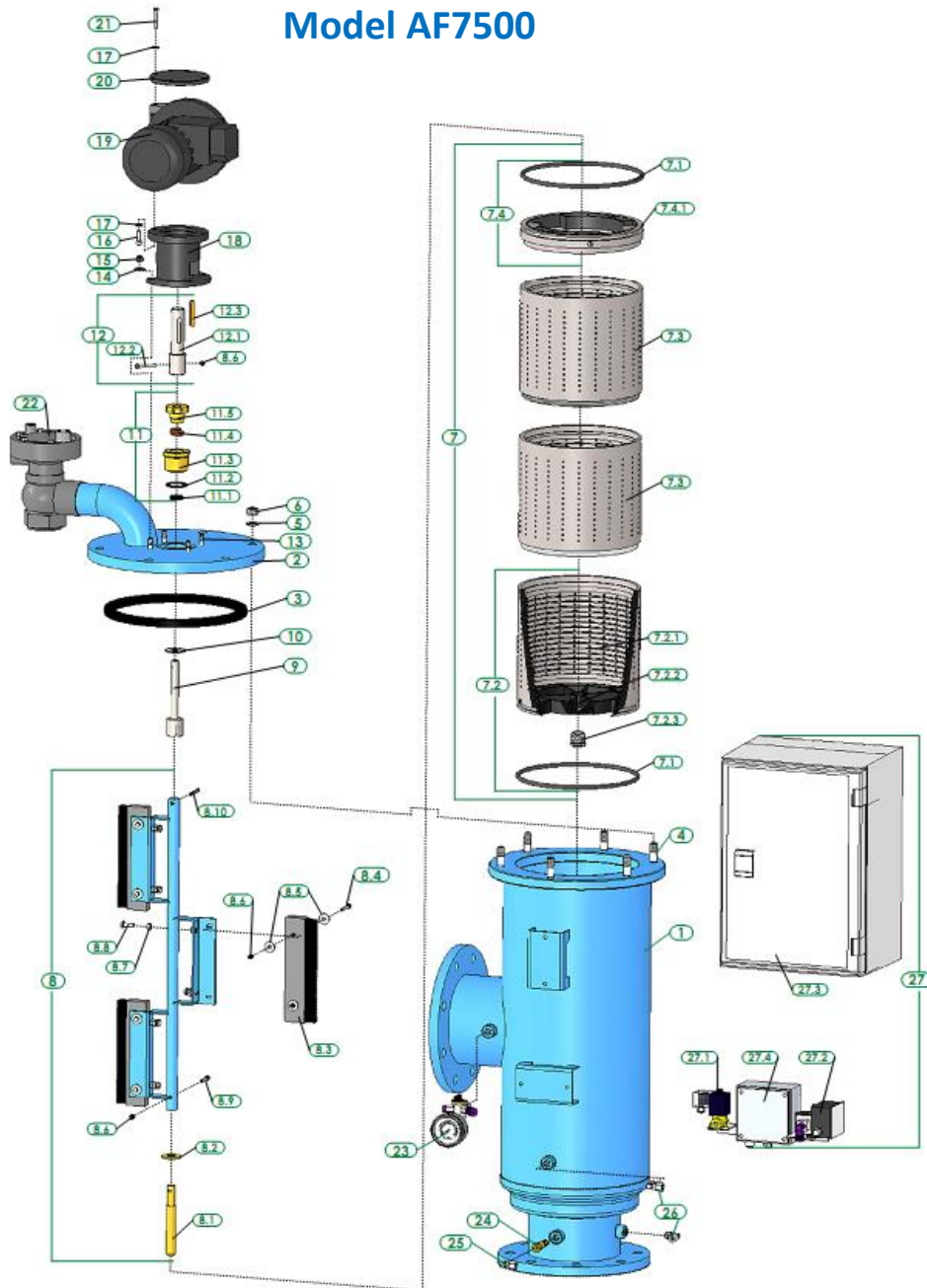
Model AF708-AF716  
AF7504BL-AF7506BL-F7508BL



Model AF7504BIL-AF7506BIL-AF7508BIL

Model	In/Out $\varnothing D$		$\varnothing D1$	H		L		L1		L2		Shipping Weight		Packing Volume LxWxH	
	(mm)	(in)		(in)	(mm)	(in)	(mm)	(in)	(mm)	(in)	(mm)	(in)	(kg)	(lb)	(m)
AF708	200	8	16	323	12.72	350	13.78	882	34.72	1200	47.24				
AF710	250	10	16	323	12.72	450	17.72	1096	43.15	1630	64.17	206	454	1.33x0.83x0.83	4.4x2.7x2.7
AF712	300	12	16	323	12.72	550	21.65	1310	51.57	2060	81.10	241	531	1.5x1.00x0.87	4.9x3.3x2.8
AF714	350	14	16	323	12.72	550	21.65	1310	51.57	2060	81.10	263	580	1.5x1.2x0.87	4.9x3.9x2.8
AF716	400	16	24	450	17.72	600	23.62	1338	52.68	2080	81.89	408	900	1.7x1.2x1.05	5.6x3.9x3.4
AF7504BIL	100	4	10	701	27.58	550	21.65	775	30.50	882	34.71	108	238	1.33x0.68x0.65	4.4x2.2x2.1
AF7504BL	100	4	10	237	9.31	350	13.78	778	30.65	1060	41.73	108	238	1.33x0.68x0.65	4.4x2.2x2.1
AF7506BIL	150	6	10	860	33.84	650	25.59	965	38.01	1214	47.78	124	273	1.43x0.68x0.65	4.7x2.2x2.1
AF7506BL	150	6	10	237	9.31	450	17.72	982	38.66	1450	57.09	124	273	1.43x0.68x0.65	4.7x2.2x2.1
AF7508BIL	200	8	10	879	34.59	650	25.59	1197	47.14	1543	60.75	140	309	1.53x0.68x0.65	8.0x2.2x2.1
AF7508BL	200	8	10	237	9.31	550	21.65	1180	46.46	1850	72.83	140	309	1.53x0.68x0.65	8.0x2.2x2.1

**Model AF7500**

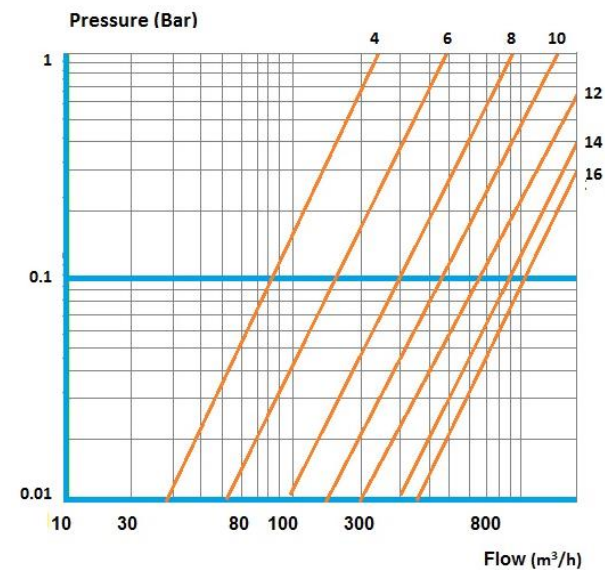


**Flow Rate**

Model	In/Out ØD (mm) (in)	Max Flow Rate (m <sup>3</sup> /h) (gpm)	Screen Area (cm <sup>2</sup> ) (in <sup>2</sup> )	Flushing Flow Rate (m <sup>3</sup> /h) (gpm)	Flushing volume (m <sup>3</sup> ) (gal)
AF7504BL	100 4	80 352	2910 451	25 110	0.069 18.2
AF7506BL	150 6	160 705	4190 649	25 110	0.069 18.2
AF7508BL	200 8	300 1320	5470 848	25 110	0.069 18.2
AF710BL	250 10	450 1981	5880 911	25 110	0.069 18.2
AF712BL	300 12	650 2862	7630 1183	25 110	0.069 18.2
AF714BL	350 14	900 3963	7630 1183	25 110	0.069 18.2
AF716BL	400 16	1100 4843	11145 1727	25 110	0.069 18.2

\* Max. flow rate is for high quality water at filtration grade of 200 micron

**Pressure Loss at 200 micron**



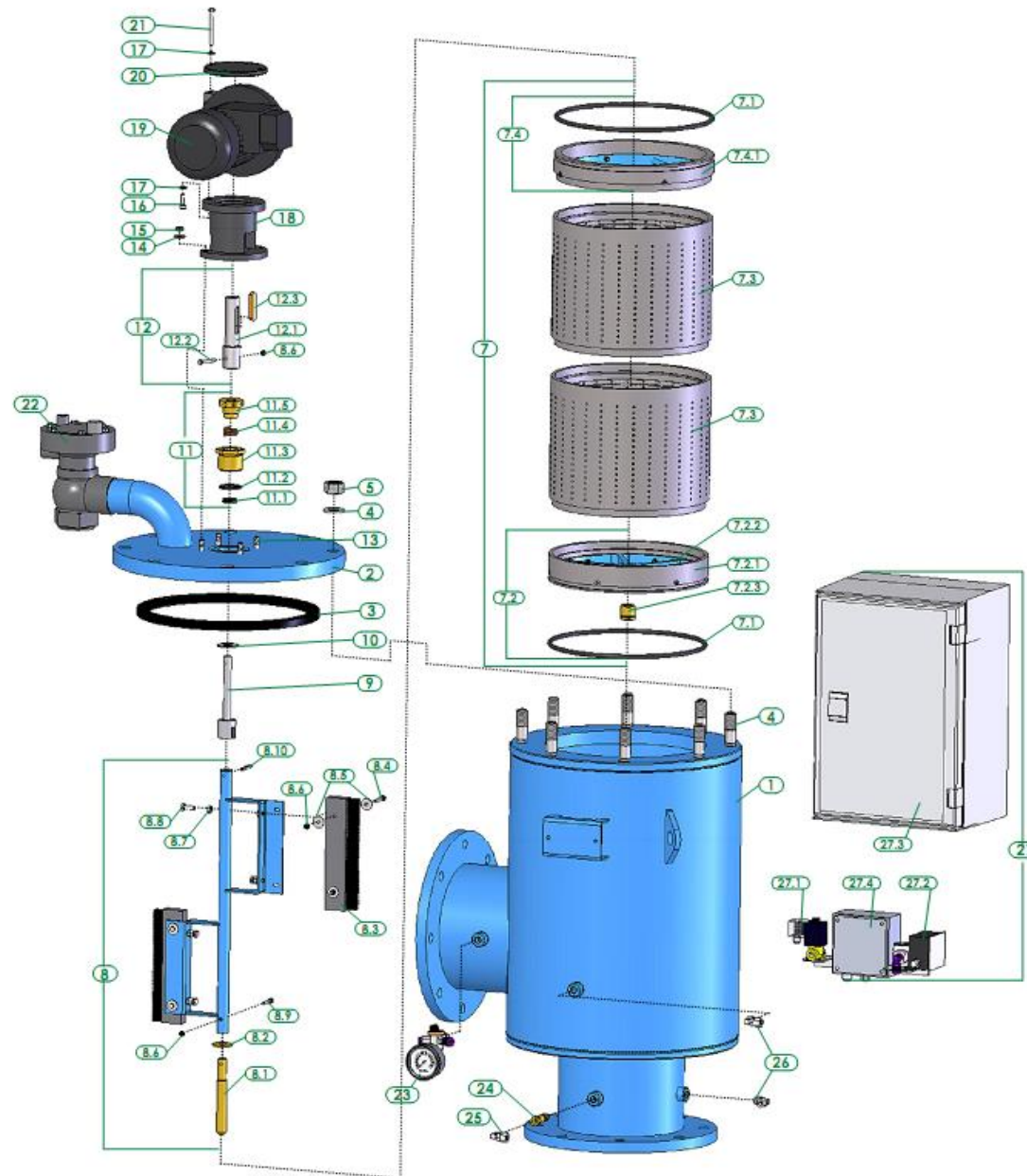
### Model AF7504BL / 7506BL / 7508BL

FILTER		AF7504BL	AF7506BL	AF7508BL
1	Filter Body	N/A	N/A	N/A
2	Filter Cover	N/A	N/A	N/A
3	U-Ring	5311250100	5311250100	5311250100
4	Stud	5292143001-048	5292143001-048	5292143001-048
5	Washer	4121123001	4121123001	4121123001
6	Nut	4112140401	4112140401	4112140401
7	Fine Screen	E7005602003-01##	E7005603002-01##	E7005604001-01##
7.1	O-Ring	4081202100-445	4081202100-445	4081202100-445
7.2	Fine Screen Upper Sec	E5005600100-01##-01	E5005600100-01##-01	E5005600100-01##-01
7.2.1	Fine Screen Upper Sec	W5005600100-01##	W5005600100-01##	W5005600100-01##
7.2.2	Screen Wheel	5021640500	5021640500	5021640500
7.2.3	Screen Bearing Shaft	5172301700	5172301700	5172301700
7.3	Fine Screen Middle Sec	W5005600300-01##	W5005600300-01##	W5005600300-01##
7.4	Lower Screen Adaptor	E5005601002-02	E5005601002-02	E5005601002-02
7.4.1	Lower Screen Adaptor	E5005601002-01	E5005601002-01	E5005601002-01
8	Brush Shaft w/brush unit	E7152250202-01	E7152250302-01	E7152250402-01
8.1	Centralize Shaft	5131391700	5131391700	5131391700
8.2	Washer	6143901400	6143901400	6143901400
8.3	Brush Unit	5150440100	5150440100	5150440100
8.4	Bolt	4101053001-035	4101053001-035	4101053001-035
8.5	Washer	4121053005	4121053005	4121053005
8.6	Nylock Nut	4111053002	4111053002	4111053002
8.7	Nut	4112103001	4112103001	4112103001
8.8	Bolt	4102103101-025	4102103101-025	4102103101-025
8.9	Bolt	4101053001-030	4101053001-030	4101053001-030
8.1	Pin	4132053001	4132053001	4132053001
9	Connecting Shaft	5136311301	5136311301	5136311301
10	Washer	4121143001	4121143001	4121143001
11	Sealing rope housing	E5182391300-01	E5182391300-01	E5182391300-01

### Model AF7504BL / 7506BL / 7508BL

FILTER		AF7504BL	AF7506BL	AF7508BL
11.1	U-Ring	4082013100	4082013100	4082013100
11.2	O-Ring	4081030100	4081030100	4081030100
11.3	Sealing rope housing	5182391300	5182391300	5182391300
11.4	Sealing Rope	5319000900	5319000900	5319000900
11.5	tightening Nut	5181391300	5181391300	5181391300
12	Gear Drive Shaft	E5133302401-01	E5133302401-01	E5133302401-01
12.1	Gear Drive Shaft	5133302401	5133302401	5133302401
12.2	Bolt	6163100501	6163100501	6163100501
12.3	Gear Key	5203390800	5203390800	5203390800
13	Stud	5292113001-029	5292113001-029	5292113001-029
14	Washer	4121083001	4121083001	4121083001
15	Nut	4112113901	4112113901	4112113901
16	Screw Socket	4101063005-025	4101063005-025	4101063005-025
17	Washer	4121063001	4121063001	4121063001
18	Motor Adaptor	5201400002-01	5201400002-01	5201400002-01
19	Motor 3-Phase	E4060506800	E4060506800	E4060506800
20	Motor Cover	5331610002	5331610002	5331610002
21	Bolt	4101063001-025	4101063001-025	4101063001-025
22	Hydraulic Valve Dorot	4510020003-07	4510020003-07	4510020003-07
23	Pressure Gauge	CS11010020	CS11010020	CS11010020
24	Finger Filter	4470010001	4470010001	4470010001
25	Male Elbow	4650618081	4650618081	4650618081
26	Male Elbow	4650614081	4650614081	4650614081
27	Controller ELI-02	CSE0200132402	CSE0200132402	CSE0200132402
27.1	Solenoid AC	4430131003	4430131003	4430131003
27.2	DP Pressure Switch	4410000004	4410000004	4410000004
27.3	Control Board	8500010100-02	8500010100-02	8500010100-02
27.4	Box for ELI-02	8500010801	8500010801	8500010801

**Model AF700**



### Model AF708BL – AF716BL

FILTER		AF708BL	AF710BL	AF712BL	AF714BL	AF716BL
1	Filter Body	N/A	N/A	N/A	N/A	N/A
2	Filter Cover	N/A	N/A	N/A	N/A	N/A
3	U-Ring	5311400100	5311400100	5311400100	5311400100	5311600100
4	Stud	5292183001-073	5292183001-073	5292183001-073	5292183001-073	5292183001-080
5	Washer	4121203001	4121203001	4121203001	4121203001	4121203001
6	Nut	4112180401	4112180401	4112180401	4112180401	4112180401
7	Fine Screen	E7006602001-01##	E7006603001-01##	E7006604002-01##	E7006604002-01##	E7008604002-01##
7.1	O-Ring	4081266100-450	4081266100-450	4081266100-450	4081266100-450	4081380100-459
7.2	Fine Screen Upper Sec	E5006600901-01	E5006600901-01	E5006600901-01	E5006600901-01	E5008600901-02
7.2.1	Fine Screen Upper Sec	5006600901	5006600901	5006600901	5006600901	5008600901
7.2.2	Screen Wheel	5021010600-P	5021010600-P	5021010600-P	5021010600-P	5021010800-P
7.2.3	Screen Bearing Shaft	5172301700	5172301700	5172301700	5172301700	5172301700
7.3	Fine Screen Middle Sec	W5006600300-01##	W5006600300-01##	W5006600300-01##	W5006600300-01##	W5008600300-01##
7.4	Lower Screen Adaptor	E5006601001-02	E5006601001-02	E5006601001-02	E5006601001-02	E5008601001-02
7.4.1	Lower Screen Adaptor	E5006601001-01	E5006601001-01	E5006601001-01	E5006601001-01	E5008601001-01
8	Brush Shaft w/brush unit	E7152800201-01	E7152800301-01	E7152800401-01	E7152800401-01	E7154000401-01
8.1	Centralize Shaft	5131391700	5131391700	5131391700	5131391700	5131391700
8.2	Washer	6143901400	6143901400	6143901400	6143901400	6143901400
8.3	Brush Unit	5150440100	5150440100	5150440100	5150440100	5150440100
8.4	Bolt	4101053001-035	4101053001-035	4101053001-035	4101053001-035	4101053001-035
8.5	Washer	4121053005	4121053005	4121053005	4121053005	4121053005
8.6	Nylock Nut	4111053002	4111053002	4111053002	4111053002	4111053002
8.7	Nut	4112103001	4112103001	4112103001	4112103001	4112103001
8.8	Bolt	4102103101-025	4102103101-025	4102103101-025	4102103101-025	4102103101-025
8.9	Bolt	4101053001-030	4101053001-030	4101053001-030	4101053001-030	4101053001-030
8.1	Pin	4132083001	4132083001	4132083001	4132083001	4132083001
9	Connecting Shaft	5136311302	5136311302	5136311302	5136311302	5136311502
10	Washer	4121163001	4121163001	4121163001	4121163001	4121163001
11	Sealing rope housing	E5182391300-01	E5182391300-01	E5182391300-01	E5182391300-01	E5182391500-01

### Model AF708BL / 710BL / 712BL

FILTER		AF708BL	AF710BL	AF712BL	AF714BL	AF716BL
11.1	U-Ring	4082013100	4082013100	4082013100	4082013100	4082015100
11.2	O-Ring	4081030100	4081030100	4081030100	4081030100	4081030100
11.3	Sealing rope housing	5182391300	5182391300	5182391300	5182391300	5182391500
11.4	Sealing Rope	5319000900	5319000900	5319000900	5319000900	5319000900
11.5	tightening Nut	5181391300	5181391300	5181391300	5181391300	5181391500
12	Gear Drive Shaft	E5133302401-01	E5133302401-01	E5133302401-01	E5133302401-01	E5133302402-01
12.1	Gear Drive Shaft	5133302402	5133302402	5133302402	5133302402	5133302402
12.2	Bolt	6163100501	6163100501	6163100501	6163100501	6163100502
12.3	Gear Key	5203390800	5203390800	5203390800	5203390800	5203390800
13	Stud	5292113001-029	5292113001-029	5292113001-029	5292113001-029	5292113001-029
14	Washer	4121083001	4121083001	4121083001	4121083001	4121083001
15	Nut	4112113901	4112113901	4112113901	4112113901	4112113901
16	Screw Socket	4101063005-025	4101063005-025	4101063005-025	4101063005-025	4101063005-025
17	Washer	4121063001	4121063001	4121063001	4121063001	4121063001
18	Motor Adaptor	5201400002-02	5201400002-02	5201400002-02	5201400002-02	5201400002-02
19	Motor 3-Phase	E4060506800	E4060506800	E4060506800	E4060506800	E4060506800
20	Motor Cover	5331610002	5331610002	5331610002	5331610002	5331610002
21	Bolt	4101063001-025	4101063001-025	4101063001-025	4101063001-025	4101063001-025
22	Hydraulic Valve Dorot	4510020003-07	4510020003-07	4510020003-07	4510020003-07	4510020003-07
23	Pressure Gauge	CS11010020	CS11010020	CS11010020	CS11010020	CS11010020
24	Finger Filter	4470010001	4470010001	4470010001	4470010001	4470010001
25	Male Elbow	4650618081	4650618081	4650618081	4650618081	4650618081
26	Male Elbow	4650614081	4650614081	4650614081	4650614081	4650614081
27	Controller ELI-02	CSE0200132402	CSE0200132402	CSE0200132402	CSE0200132402	CSE0200132402
27.1	Solenoid AC	4430131003	4430131003	4430131003	4430131003	4430131003
27.2	DP Pressure Switch	4410000004	4410000004	4410000004	4410000004	4410000004
27.3	Control Board	8500010100-02	8500010100-02	8500010100-02	8500010100-02	8500010100-02
27.4	Box for ELI-02	8500010801	8500010801	8500010801	8500010801	8500010801