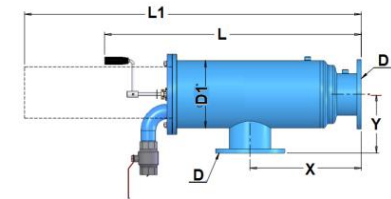


Applications: Semi-automatic brush filters

Standard Characteristics:

- **Filter element:** - Stainless Steel screen AISI 316, supported by a PVC cylinder .
- **Available filtration:** from 300 micron
- **Filter housing material of construction:** Carbon Steel ST37.2
- **Pre-treatment:** sand blasting up to Sa 2.5 grade
- **Exterior & Interior coating:** electrostatic oven baked polyester-epoxy powder coating with a thickness of 150-200 micron
- **Connections:** Victaulic and Flange
- **Maximum recommended working pressure:** up to 10 bar (145 psi).
- **Minimum operating working pressure during flushing:** 1 bar (14.5 psi)
- Equipped with pressure gauge which indicates the pressure difference of 5m
- **Clean screen pressure loss:** up to 0.1 bar (1.45psi)

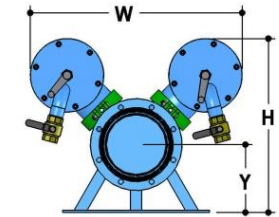


Model SA504B-SA508B

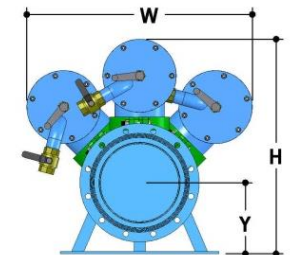
Operation:

Water flows through the inlet and through the cylindrical screen trapping the solids on the screen. The filter can be manually cleaned while still pressurized and without removing the screen. The operator cleans the screen by opening the flush valve and turning the handle, fully up and then back down. As a result the brushes traverse the entire screen removing trapped debris. The entire process lasts for just a few seconds.

Model	D In/Out (in)	D1 (in)	Max. rec. Flow rate (m ³ /h) (gpm)		X (mm) (in)		Y (mm) (in)		L (mm) (in)		L1 (mm) (in)		H (mm) (in)		W (mm) (in)		Shipping Weight (kg) (lb)		Packaging Volume L x W x H (m) (ft)	
SA504B	4	10	80	352	350	13.8	237	9.3	833	32.8	1060	41.7					78	172	1.07x0.6x0.6	3.5x2.0x2.1
SA506B	6	10	150	660	450	17.7	237	9.3	1038	40.9	1460	57.5					93	205	1.07x0.6x0.6	3.5x2.0x2.1
SA508B	8	10	250	1101	550	21.7	237	9.3	1236	48.7	1860	73.2					110	243	1.33x0.6x0.6	4.4x2.0x2.1
SA510B	10	10	500	2202	1100	43.3	250	9.8	1293	50.9	1720	67.7	719	28.2	937	36.9	219	483	1.33x1.3x1.0	4.4x4.3x3.3
SA512B	12	12	600	2642	1250	47.2	280	11.0	1765	59.7	2140	84.3	770	30.2	973	38.3	337	743	1.50x1.3x1.0	4.9x4.3x3.3
SA514B	14	14	750	3302	1420	55.9	315	12.4	1735	68.3	2360	92.9	813	32.0	996	39.2	338	745	1.80x1.2x1.2	5.9x3.9x3.9



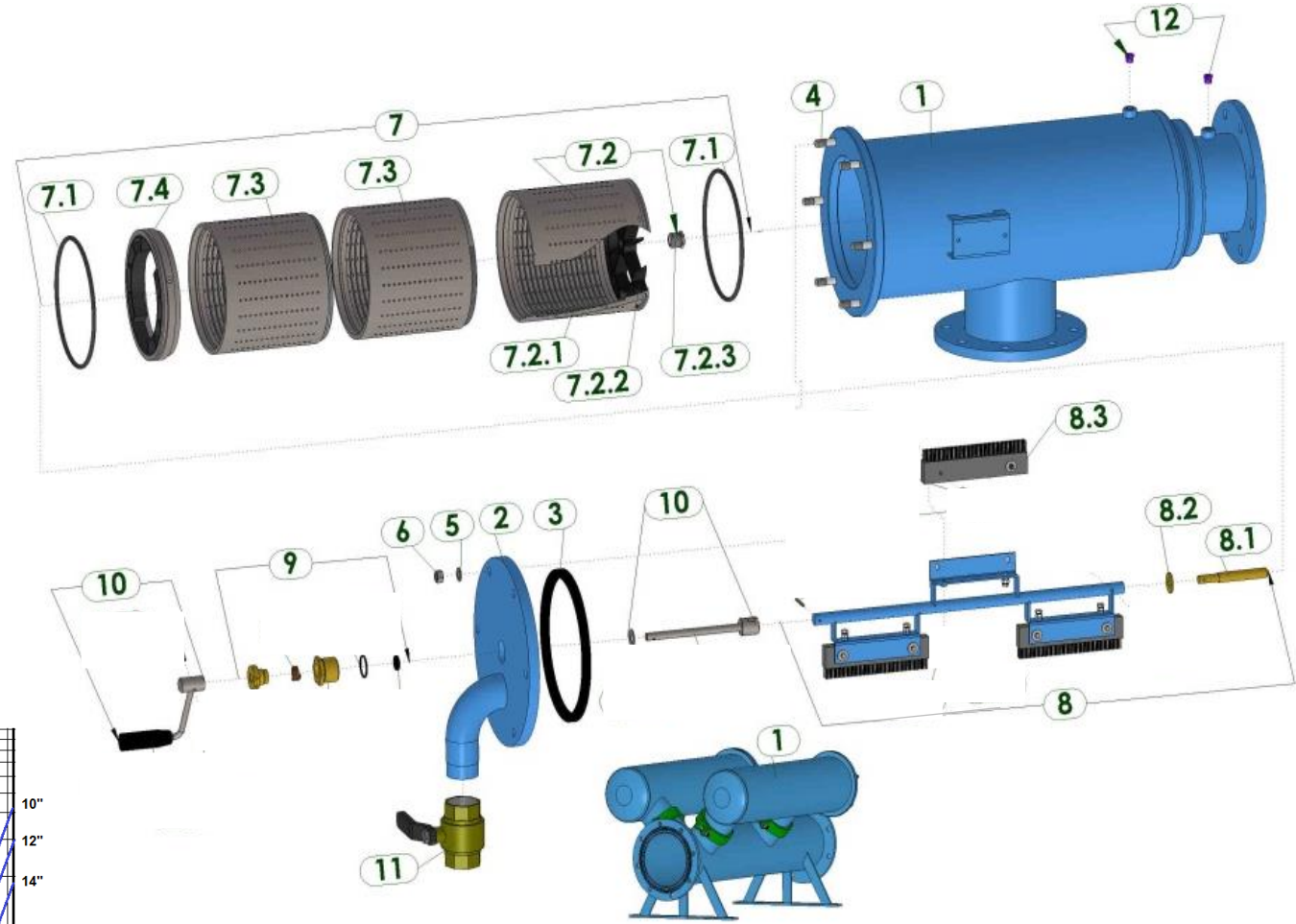
Model SA510B - (2*506B)
Model SA512B - (2*508B)



Model SA514B - (3*508B)

Components Description & Spare Parts ordering information

Description		Filter Model					
		SA504B (4")	SA506B (6")	SA508B (8")	SA510B (10")	SA512B (12")	SA514B (14")
1	Filter body	N/A	N/A	N/A	N/A	N/A	N/A
2	Filter cover	N/A	N/A	N/A	N/A	N/A	N/A
3	U-Ring for cover	5311250100	5311250100	5311250100	5311250100	5311250100	5311250100
4	Stud	5292143001-048	5292143001-048	5292143001-048	5292143001-048	5292143001-048	5292143001-048
5	Washer	4121123001	4121123001	4121123001	4121123001	4121123001	4121123001
6	Nut	4112140401	4112140401	4112140401	4112140401	4112140401	4112140401
7	Fine screen	E7005602003-01##	E7005603002-01##	E7005604001-01##	E7005603002-01##	E7005604001-01##	E7005604001-01##
7.1	O-Ring	4081202100-445	4081202100-445	4081202100-445	4081202100-445	4081202100-445	4081202100-445
7.2	Fine screen upper sec	E5005600100-01##-01	E5005600100-01##-01	E5005600100-01##-01	E5005600100-01##-01	E5005600100-01##-01	E5005600100-01##-01
7.2.1	Fine screen upper section	W5005600100-01##	W5005600100-01##	W5005600100-01##	W5005600100-01##	W5005600100-01##	W5005600100-01##
7.2.2	Screen wheel	5021640500	5021640500	5021640500	5021640500	5021640500	5021640500
7.2.3	Screen bearing for shaft	5172301700	5172301700	5172301700	5172301700	5172301700	5172301700
7.3	Fine screen middle sec.	W5005600300-01##	W5005600300-01##	W5005600300-01##	W5005600300-01##	W5005600300-01##	W5005600300-01##
7.4	Lower screen adaptor	E5005601002-02	E5005601002-02	E5005601002-02	E5005601002-02	E5005601002-02	E5005601002-02
7.4.1	Lower screen adaptor	E5005601002-01	E5005601002-01	E5005601002-01	E5005601002-01	E5005601002-01	E5005601002-01
8	Brush shaft w/brush units	E7152250201-01	E7152250301-01	E7152250401-01	E7152250301-01	E7152250401-01	E7152250401-01
8.1	Centralize shaft	5131391700	5131391700	5131391700	5131391700	5131391700	5131391700
8.2	Washer	6143901400	6143901400	6143901400	6143901400	6143901400	6143901400
8.3	Brush unit	5150640100	5150640100	5150640100	5150640100	5150640100	5150640100
8.4	Bolt	4101053001-035	4101053001-035	4101053001-035	4101053001-035	4101053001-035	4101053001-035
8.5	Washer	4121053005	4121053005	4121053005	4121053005	4121053005	4121053005
8.6	Nut	4111053002	4111053002	4111053002	4111053002	4111053002	4111053002
8.7	Nut	4112103001	4112103001	4112103001	4112103001	4112103001	4112103001
8.8	Bolt	4102103101-020	4102103101-020	4102103101-020	4102103101-020	4102103101-020	4102103101-020
8.9	Bolt	4101053001-030	4101053001-030	4101053001-030	4101053001-030	4101053001-030	4101053001-030
8.10	Pin	4132053001	4132053001	4132053001	4132053001	4132053001	4132053001
9	Sealing rope housing	E5182391300-01	E5182391300-01	E5182391300-01	E5182391300-01	E5182391300-01	E5182391300-01
9.1	U-Ring	4082013100	4082013100	4082013100	4082013100	4082013100	4082013100
9.2	O-Ring	4081030100	4081030100	4081030100	4081030100	4081030100	4081030100
9.3	Sealing rope housing	5182391300	5182391300	5182391300	5182391300	5182391300	5182391300
9.4	Sealing rope	5319000900	5319000900	5319000900	5319000900	5319000900	5319000900
9.5	Tightening nut sealing rope	5181391300	5181391300	5181391300	5181391300	5181391300	5181391300
10	Driving handle + shaft	E5136301300-01	E5136301300-01	E5136301300-01	E5136301300-01	E5136301300-01	E5136301300-01
10.1	Connecting shaft	5136301300	5136301300	5136301300	5136301300	5136301300	5136301300
10.2	Washer	4121143001	4121143001	4121143001	4121143001	4121143001	4121143001
10.3	Driving handle	E6043000000	E6043000000	E6043000000	E6043000000	E6043000000	E6043000000
11	Ball valve	4504020100-02	4504020100-02	4504020100-02	4504020100-02	4504020100-02	4504020100-02
12	Plug	4640314002	4640314002	4640314002	4640314002	4640314002	4640314002



Pressure loss at 120 micron

