

**Applications** - In-line control filters

**Standard Characteristics:**

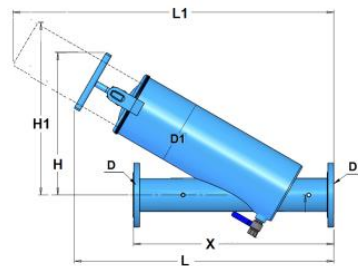
- **Filter element:** - Stainless Steel screen AISI 316, supported by a PVC cylinder  
- Available disc elements: 2", 3" & 4"
- **Available filtration grade:** from 80 micron
- **Filter housing construction material:** Carbon Steel ST37.2
- **Pre-treatment:** sand blasting up to Sa 2.5 grade
- **Exterior & Interior coating:** electrostatic oven baked polyester-epoxy powder coating with a thickness of 150-200 micron
- **Connections:** Victaulic, Threaded socket and Flange
- **Maximum pressure:** 10 bar (145 psi)
- **Maximum recommended working pressure:** up to 8 bar (116 psi).



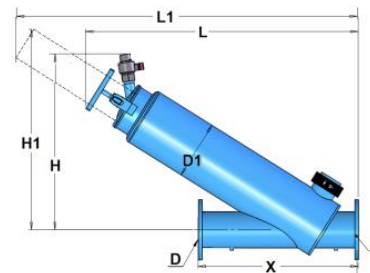
**Operating principle:**

The filters are designed and built in accordance with the principle of water flow through the cylinder screen openings while solid particles are trapped by the screen. These particles can be easily removed by opening the cover and washing the screen manually. The drain valve is used for releasing pressure before opening for maintenance.

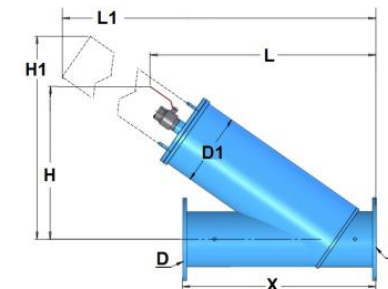
Model	In/Out ØD (in)	ØD1 (in)	X		L		L1		H		H1		Shipping Weight		Packaging Volume LxWxH		Maximum Flow Rate	
			(mm)	(in)	(mm)	(in)	(mm)	(in)	(mm)	(in)	(kg)	(lb)	(m)	(ft)	(m <sup>3</sup> /h)	(GPM)		
F215	1.5	4	350	13.8	496	19.5	603	23.7	278	10.9	308	12.1	9.3	21	0.54x0.28x0.22	1.77x0.92x0.72	15	66
F220	2	6	480	18.9	504	19.9	587	23.1	295	11.6	308	12.1	16.2	36	0.55x0.32x0.29	1.80x1.05x0.95	25	110
F222	2	6	480	18.9	726	28.6	1040	40.9	427	16.8	590	23.2	22.8	50	0.67x0.55x0.28	2.20x1.80x0.92	30	132
F230	3	6	550	21.7	717	28.2	1032	40.6	398	15.7	539	21.2	31.9	70	0.67x0.55x0.28	2.20x1.80x0.92	40	176
F240	4	8	685	26.6	887	34.7	1275	50.2	487	19.2	688	27.1	43.8	97	0.84x0.64x0.32	2.76x2.10x1.05	80	352
F260	6	10	735	28.9	1264	49.8	2032	80.0	817	32.2	1207	47.5	79.2	175	1.37x0.77x0.35	4.49x2.53x1.15	180	793
F280	8	12	830	33.1	1072	42.2	1556	61.3	643	25.3	1178	46.4	108.8	240	1.20x0.73x0.35	3.94x2.40x1.15	300	1321
F210	10	14	940	37.0	1103	43.4	1778	69.9	745	29.3	1165	45.8	135.0	298	Pallet 1.00x1.20	Pallet 3.28x3.94	500	2200



Model: F215-F240



Model: F260



Model: F280-F210

**Components Description & Spare Parts ordering information**

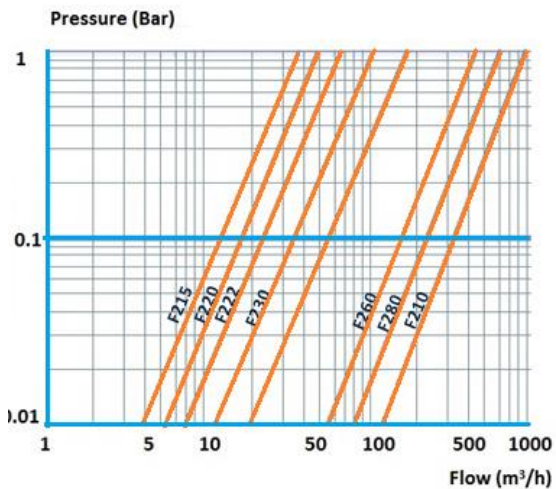
Description		Filter Model							
Filter		F215	F220	F222	F230	F240	F260	F280	F210
Filter body		4"	6"	6"	6"	8"	10"	12"	14"
1	Filter body	N/A	N/A	N/A	N/A	N/A	N/A	N/A	N/A
2	Handle	E6020104000	E6020106000	E6020106000	E6020106000	E6020106000	E6020106000	-----	-----
3	Tightening bracket	6012004000-P	6012006000-P	6012006000-P	6012006000-P	6012108000-P	6012108000-P	-----	-----
4	Cover	5320010400-P	5320200601-P	5320200601-P	5320200601-P	5320010801-P	W5320010801-03P	W5331011004-01P	W5331011401-01P
5	Cover gasket	5312090600-010	5312140600-050	5312140600-050	5312060600-060	5312160600-150	5312160600-135	5311250100	5311400100
6	Int. filter screen	W5001600400-01##	W5001600400-01##	W5001600401-01##	W5002600400-01##	W5002600401-01##	-----	-----	-----
7	Ext. filter screen	-----	W5003600400-01##	W5003600402-01##	W5003600402-01##	W5004600400-01##	E7004600404-01##	E7005604007-01##	E7006604003-01##
8	Centering gasket	-----	-----	-----	-----	5312160600-161	-----	-----	-----
9	Screen gasket	5312090600-020	5312140600-080	5312140600-080	5312140600-100	5312160600-300	5312160600-310	-----	-----
10	Pressure testing port	E5412023901-01	E5412023901-01	E5412023901-01	E5412023901-01	E5412023901-01	E5412023901-01	E5412023901-01	E5412023901-01
11	Ball valve	4504005100-01	4504007100-01	4504007100-01	4504007100-01	4504010100-01	4504015100-01	4504020100-01	4504020100-01
12	Quick Coupling 4"	-----	-----	-----	-----	-----	4150104000-03P	-----	-----
13	Cover 4" vic	-----	-----	-----	-----	-----	5320010402-P	-----	-----
14	Stud	-----	-----	-----	-----	-----	-----	5292143001-048	5292143001-048
15	Washer	-----	-----	-----	-----	-----	-----	4122140301	4122140301
16	Nut	-----	-----	-----	-----	-----	-----	4112140301	4112140301
17	O-ring	-----	-----	-----	-----	-----	-----	4081202100-445	4081266100-450

**Warnings!**

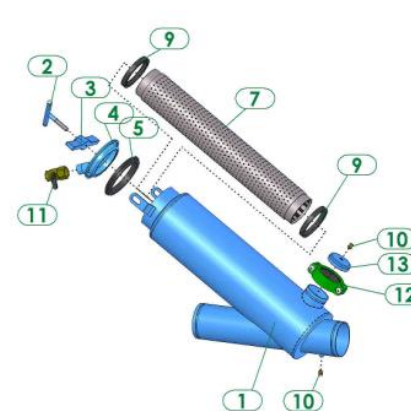
Important safety instructions: -Maximum recommended working pressure is 8 bar. - Do not open the filter cover without first performing the following actions:

1. Close both the inlet and outlet valves.
2. Open the filter drain and be certain that the filter is fully drained and the pressure is 0.
3. The filter cover can now be carefully opened.

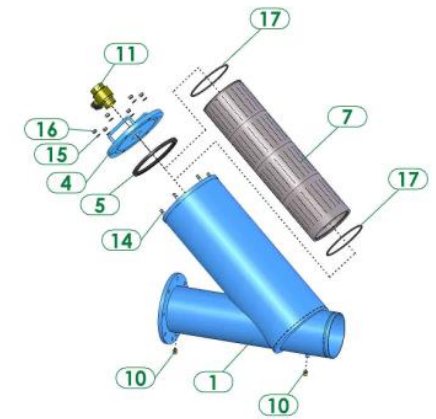
**Pressure loss at 120 micron**



Model: F215-F240



Model: F260



Model: F280F210