

PRINCIP ČINNOSTI:

Při zanesení vnitřní plochy jemného síta se otevře proplachovací ventil a značně snížený tlak v proplachovací komoře a sběrači nečistot zahájí proces sání nečistot sacími tryskami. Tlak vody roztočí sběrač nečistot okolo své osy a píst ho posune ve směru osy. Při uzavření proplachovacího ventilu zpětný tlak na píst vrátí trysky do klidové polohy. Píst odebírá pro svůj pohyb energii z tlaku vody. Kombinace horizontálního pohybu a rotace zaručí účinné vyčištění celého síta. V průběhu celého proplachu není přerušena dodávka vody.

PITNÁ VODA • TECHNOLOGICKÁ VODA • ZAVLAŽOVÁNÍ • TERCÍÁRNÍ DOČIŠTĚNÍ

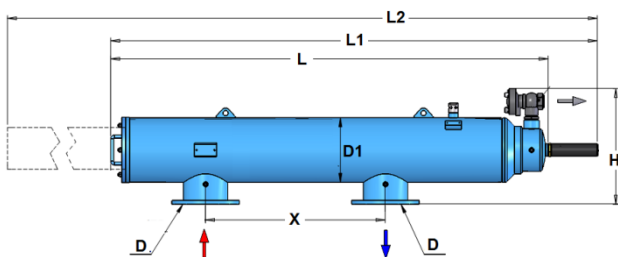
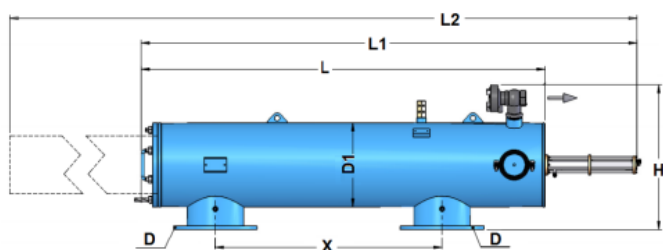
STANDARDNÍ SPECIFIKACE:

- ◆ Pohon filtru: hydraulický - píst, ovladač FILTRON 1-10 AC/DC
- ◆ Ovládací napětí: 230V AC
- ◆ Jemnost filtrace: 80 - 3000 μ m
- ◆ Minimální provozní tlak při proplachu: 2bary
- ◆ Tlaková ztráta při proplachu: 0.5baru
- ◆ Maximální provozní tlak: 10barů
- ◆ Tlaková ztráta čistého síta: 0.1baru
- ◆ Spotřeba vody za proplachovací cyklus / doba proplachu: 42 - 125l / 5s
- ◆ Materiál filtračního síta: nerez 1.4404 [AISI316L] na PVC osnově
- ◆ Materiál těla filtru: ocel 1.0038 [ST37.2]
- ◆ Předúprava povrchu: tryskáním do stupně Sa 2½
- ◆ Povrchová úprava filtru: elektrostaticky vypalovaná polyester-epoxidová prášková barva o síle 150 - 200 μ m, RAL 5012
- ◆ Maximální teplota média: 65°C



Dimensions & Weight

Model	Připojení ØD (in)	D1 (in)	H (mm)	X (mm)	L (mm)	L1 (mm)	L2 (mm)	Hmotnost [kg]	Objem balení L*W*H (m)
AF803NL	3	10	545	450	1139	1386	2040	110	1.6x0.9x0.6
AF804NL	4	10	545	900	1535	1782	2820	135	1.9x0.8x0.6
AF804NX	4	10	545	900	1931	2178	3620	154	2.4x0.8x0.6
AF806NL	6	12	580	900	1605	1851	2890	147	1.9x0.8x0.6
AF806NX	6	10	555	900	2001	2247	3680	157	2.4x0.8x0.6
AF808NR	8	12	579	900	1795	2041	3075	168	2.4x0.8x0.6
AF808NL	8	12	579	900	2190	2437	3870	187	2.6x0.9x0.6
AF810R	10	16	700	1100	1960	2405	3940	316	2.9x1.0x0.6
AF810NL	10	14	595	900	2194	2437	3870	212	2.6x0.9x0.6
AF810X	10	16	720	1100	2700	3145	5420	405	3.4x1.0x0.7
AF812R	12	16	720	1100	2700	3145	5420	410	3.4x1.0x0.7
AF814R	14	18	770	1270	2700	3145	5420	482	3.4x1.0x0.7
AF816R	16	18	770	1270	2700	3145	5420	500	3.4x1.0x0.7
AF816X	16	24	925	1270	2705	3150	5420	695	3.4x1.2x0.9



Flow Rate

Model	Připojení ØD (inch)	Maximální Průtok (m ³ /h)	Plocha Síta (cm ²)	Proplachovací Průtok (m ³ /h)
AF803NL	3	50	3220	30
AF804NL	4	80	5780	30
AF804NX	4	100	8410	30
AF806NL	6	150	5780	30
AF806NX	6	160	8410	30
AF808NR	8	250	5780	30
AF808NL	8	300	8410	30
AF810R	10	350	8090	60
AF810NL	10	400	8410	30
AF810X	10	450	11710	90
AF812R	12	600	11710	90
AF814R	14	900	12990	90
AF816R	16	1100	12990	90
AF816X	16	1500	17020	90

- | Maximální průtok platí pro kvalitní vodu při jemnosti filtrace 120µm
- ** | Proplachovací průtok platí pro minimální provozní tlak [2bary]

SPECIÁLNÍ VYBAVENÍ [NA PŘÁNÍ]:

Konstrukční materiál filtru SST304L, 316L, 316Ti, ...

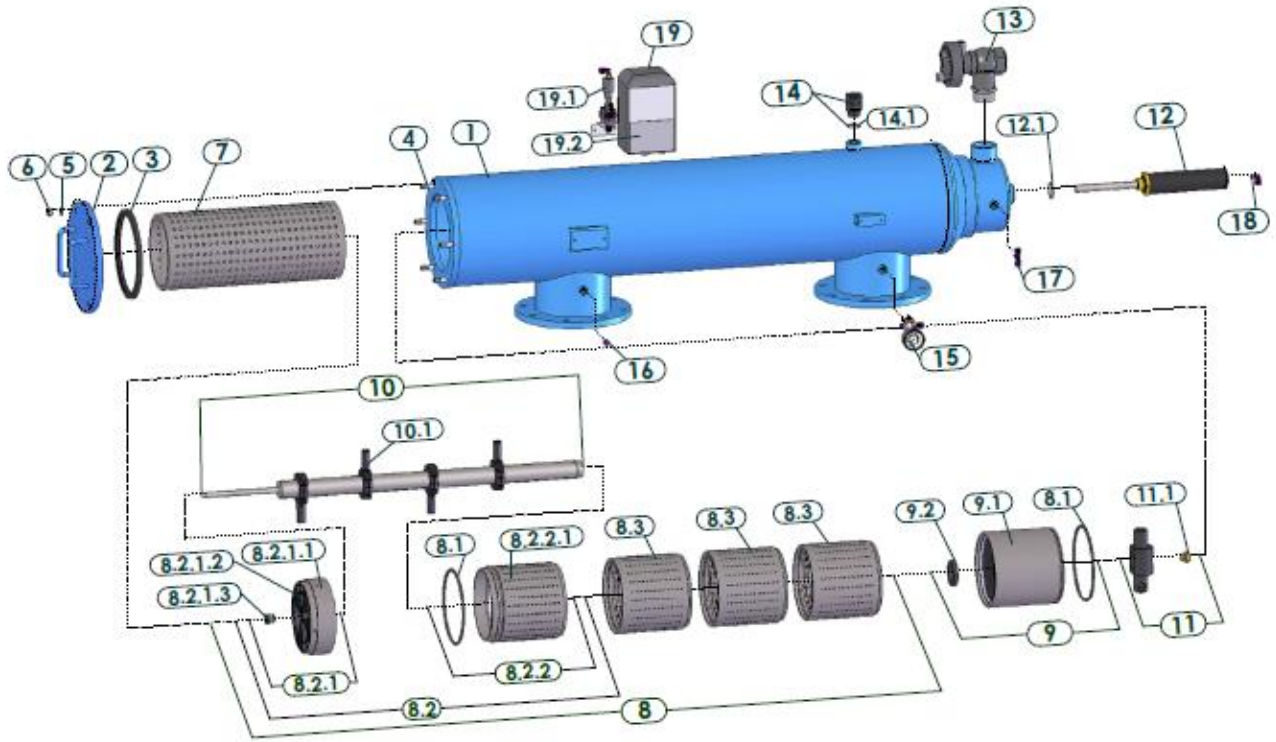
Filtr pro teplotu média 95°C, pro vysoký tlak 16, 25, 40bar.

Konstrukce do chladných klimatických podmínek [mrazu].

Ovládací napětí 6V DC, 12V DC, 24V AC.

Vícevrstvé nerezové síto.

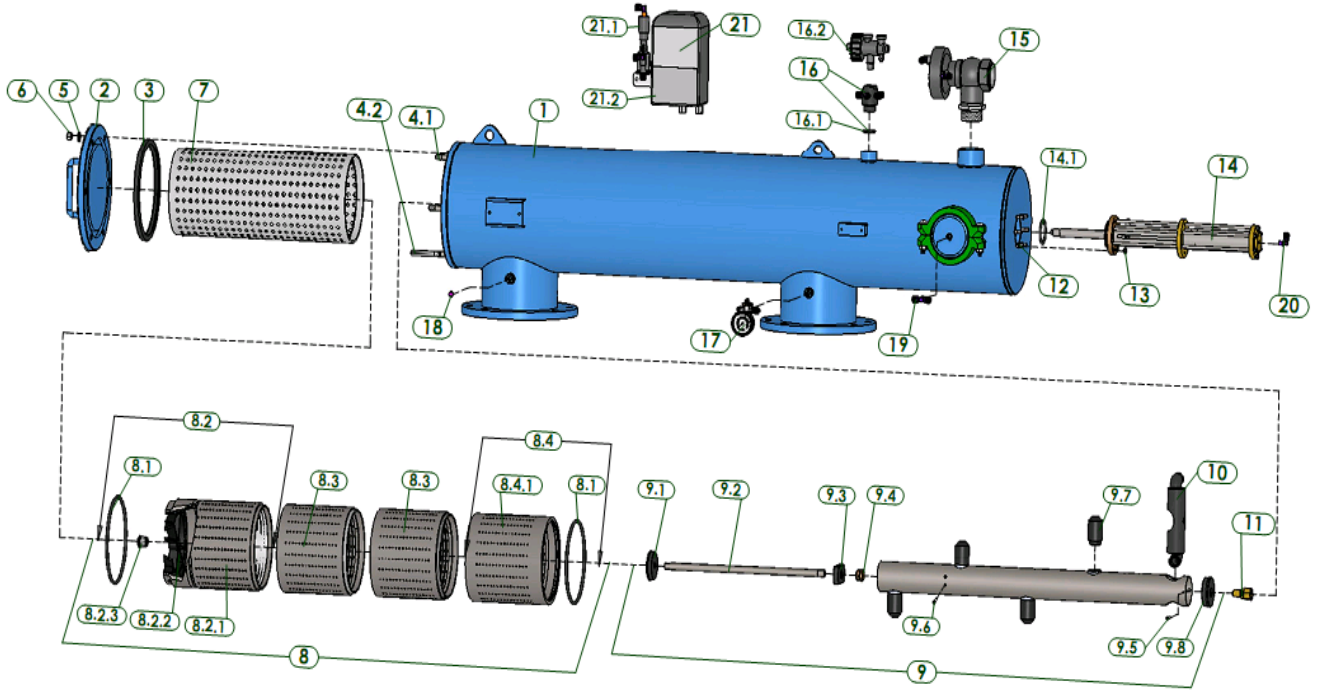
Parts & Description – AF800N (3”-10”)



IPB	Model	Catalog No	Description
1	AF800N	N/A	FILTER BODY
2	AF800N	N/A	FILTER COVER
3	AF800N	5311250100	U-RING FOR COVER 10"-14"
4	AF803NL-808NL	5292143001-048	STUD 1/2"NC*48 SS304
	AF810NL	5292143001-055	STUD 1/2"NC*55 SS304
5	AF800NL	4121123001	WASHER M12 SS304
6	AF800NL	4112140401	NUT 1/2"NC HOT GALVANIZED
7	AF803NL	E7005600100-01	COARSE SCREEN PVC225 AF803L/4L/4X/N/903/4
	AF804NL		
	AF804NX		
	AF806NL	E7005600102-01	COARSE SCREEN PVC225 AF806X/6L/6XN/6LN
	AF806NX		
	AF808NR	E7005600104-01	COARSE SCREEN PVC225 AF808R/10L/8RN/10LN
	AF808NL		
AF810NL			
8	AF803NL	E7005602005-01##	COMP FINE SCREEN PVC225 AF803N
	AF804NL	E7005604003-01##	COMP FINE SCREEN PVC225 AF804NL/6NL/8NR
	AF806NL		
	AF808NR	E7005606000-01##	COMP FINE SCREEN PVC225 AF804NX/6NX/8NL/10NL
	AF804NX		
	AF806NX		
	AF808NL		
	AF810NL		
8.1	AF800N	4081202100-445	O-RING 445
8.2	AF800N	E5005600102-01##-02	FINE SCREEN UPPER SECTION PVC225 AF800N
8.2.1	AF800N	E5005600902-02	UPPER SCREEN ADAPTER PVC225 ASSM AF800N
8.2.1.1	AF800N	W5005600102-01##	FINE SCREEN UPPER SECTION PVC225
8.2.1.2	AF800N	5021640500	SCREEN WHEEL 225 NYLON
8.2.1.3	AF800N	5172391500	SCREEN BEARING F/DIRT COLLECTOR SHAFT AF800N
8.3	AF800N	W5005600300-01##	FINE SCREEN MIDDLE SECTION PVC225
9	AF800N	E5005601101-01	FLUSHING CHAMBER PVC225 AF800N/9800N
9.1	AF800N	W5005601101-01	FLUSHING CHAMBER PVC225 AF800N/9800N
9.2	AF800N	5172635000	DELFIN BEARING FOR D/COLLECTOR 50 AF800N/9800N
10	AF803NL	E7102300201-01	COMP D/COLLECTOR 50 SS304 2 NOZZLE AF803NL
	AF804NL	E7102300401-01	COMP D/COLLECTOR 50 SS304 4 NOZZLE AF804NL-8NR
	AF806NL		
	AF808NR		
	AF804NX	E7102300601-01	COMP D/COLLECTOR 50 SS304 6 NOZZLE AF804NX-10NL
	AF806NX		
	AF808NL		
	AF810NL		

IPB	Model	Catalog No	Description
10.1	AF800N	E5122670302	SUCTION NOZZLE (SADDLE) AF800N/9800N
11	AF803NL	E5142610200-01	COMP HYDRAULIC MOTOR PVC AF803NL
	AF804NL	E5142610200-02	COMP HYDRAULIC MOTOR PVC AF804NL/6NL/8NR
	AF806NL		
	AF808NR		
	AF804NX	E5142610200-03	COMP HYDRAULIC MOTOR PVC AF804NX/6NX/ 8NL/10NL
	AF806NX		
	AF808NL		
AF810NL			
11.1	AF800N	W5173390002-01	HEAD COLLECTOR BEARING BRASS AF800N/9800N
12	AF800N	E7160406300	HYD PISTON 40 DELRIN AF800N/9800N
12.1	AF800N	4081040100-223	O-RING 223
13	AF800N	E4510020003-07-1M	COMP HYDRAULIC VALVE DOROT GALIL 09AN 2"BSP
14	AF800N	E5412036301-01	SHORT DISTRIBUTOR DELRIN ASSM
14.1	AF800N	4081034100-126	O-RING 126
15	AF800N	CS11010015	PRESSURE GAUGE SET AF800/9800/500
16	AF800N	4640314002	PLUG 1/4" PLASTIC
17	AF800N	4640214082	MALE BRANCH T 8*1/4"*8 PLASTIC
18	AF800N	4640618082	MALE ELBOW 1/8"*8 PLASTIC
19	AF800N-DC	CSD1100112100	CONTROLLER 1-10 DC + 1 SOLENOID COMPLETE
	AF800N-AC	CSA1100114100	CONTROLLER 1-10 AC + 1 SOLENOID COMPLETE
19.1	AF800N-DC	4430010902	SOLENOID DCL GALSOL 2W
	AF800N-AC	4430030901	SOLENOID AC GALSOL 24V
19.2	AF800N-DC	4440211002	CONTROLLER 1-10 DC 2 PORTS + DP
	AF800N-AC	4440311002	CONTROLLER 1-10 AC 2 PORTS + DP
19.2.1	AF800N-DC	4450110200	EXPENSION CARD FOR 1-10 DC CONTROLLER
	AF800N-AC	4450110300	EXPENSION CARD FOR 1-10 AC CONTROLLER

Parts & Description – AF800 (3"-16")



IPB	Model	Catalog No	Description
1	AF800	N/A	FILTER BODY
2	AF800	N/A	FILTER COVER
3	AF803L	5311250100	U-RING FOR COVER 10"-14"
	AF804L		
	AF806L		
	AF804X		
	AF806X		
	AF808L		
	AF808R	5311400100	U-RING FOR COVER 16"
	AF810L		
	AF810R		
	AF810X		
	AF812R	5311450100	U-RING FOR COVER 18"
	AF814R		
	AF816R		
	AF816X		
AF818X	5311600100	U-RING FOR COVER 24"	

IPB	Model	Catalog No	Description
4.1	AF803L	5292143001-048	STUD 1/2"NC*48 SS304
	AF804L		
	AF806L		
	AF804X		
	AF806X		
	AF808L		
	AF808R		
	AF810L	5292143001-055	STUD 1/2"NC*55 SS304
	AF810R	5292183001-073	STUD 3/4"NC*73 SS304
	AF810X		
	AF812R		
	AF814R		
	AF816R		
	AF816X	5292183001-080	STUD 3/4"NC*80 SS304
AF818X	5292183001-130	STUD 3/4"NC*130 SS304	
AF810R			
AF810X			
AF812R			
AF814R			
AF816R			
AF816X			
AF818X			
5	AF803L	4121123001	WASHER M12 SS304
	AF804L		
	AF806L		
	AF804X		
	AF806X		
	AF808L		
	AF808R		
	AF810L	4121203001	WASHER M20 SS304
	AF810R		
	AF810X		
	AF812R		
	AF814R		
	AF816R		
	AF816X		
AF818X			

IPB	Model	Catalog No	Description
6	AF803L	4112140401	NUT 1/2"NC HOT GALVANIZED
	AF804L		
	AF806L		
	AF804X		
	AF806X		
	AF808L		
	AF808R		
	AF810L	4112180401	NUT 3/4"NC HOT GALVANIZED
	AF810R		
	AF810X		
	AF812R		
	AF814R		
	AF816R		
	AF816X		
AF818X			
7	AF803L	E7005600100-01	COARSE SCREEN PVC225 AF803L/4L/4X/N/903/4
	AF804L		
	AF804X		
	AF806L	E7005600102-01	COARSE SCREEN PVC225 AF806X/6L/6XN/6LN
	AF806X		
	AF808L	E7005600104-01	COARSE SCREEN PVC225 AF808R/10L/8RN/10LN
	AF808R		
	AF810L	E7006600200-01	COARSE SCREEN PVC280 AF810R
	AF810R		
	AF810X	E7006600300-01	COARSE SCREEN PVC280 AF810X-12R
	AF812R		
	AF814R	E7007600300-01	COARSE SCREEN PVC315 AF814R-16R
	AF816R		
	AF816X	E7008600300-01	COARSE SCREEN PVC400 AF816X-18X
AF818X			
8	AF803L	E7005602006-02##	COMP FINE SCREEN PVC225 AF803L
	AF804L	E7005604004-01##	COMP FINE SCREEN PVC225 AF804L-8R
	AF806L		
	AF808R	E7005606001-01##	COMP FINE SCREEN PVC225 AF804X-10L
	AF804X		
	AF806X		
	AF808L		
	AF810L	E7006604000-01##	COMP FINE SCREEN PVC280 AF810R
	AF810R	E7006606000-01##	COMP FINE SCREEN PVC280 AF810X-12R
	AF810X		
	AF812R	E7007606000-01##	COMP FINE SCREEN PVC315 AF814R-16R
	AF814R		
	AF816R	E7008606001-01##	COMP FINE SCREEN PVC400 AF816X-18X
	AF816X		
AF818X			

IPB	Model	Catalog No	Description
8.1	AF803L	4081202100-445	O-RING 445
	AF804L		
	AF806L		
	AF804X		
	AF806X		
	AF808L		
	AF808R		
	AF810L	4081266100-450	O-RING 450
	AF810R		
	AF810X		
	AF812R	4081291100-452	O-RING 452
	AF814R		
	AF816R		
	AF816X	4081380100-459	O-RING 459
AF818X			
8.2	AF803L	E5005600102-01##-03	FINE SCREEN UPPER SECTION PVC225 ASSM803-10L/98N
	AF804L		
	AF806L		
	AF808R		
	AF804X		
	AF806X		
	AF808L		
	AF810L	E5006600100-01##-01	FINE SCREEN UPPER SECTION PVC280 ASSM AF810R-12R
	AF810R		
	AF810X		
	AF812R	E5007600100-01##-01	FINE SCREEN UPPER SECTION PVC315 ASSM AF814R-16R
	AF814R		
	AF816R		
	AF816X	E5008600100-01##-01	FINE SCREEN UPPER SECTION PVC400 ASSM AF816X-18X
AF818X			
8.2.1	AF803L	E5005600102-01##-06	FINE SCREEN UPPER SECTION PVC225
	AF804L		
	AF806L		
	AF804X		
	AF806X		
	AF808L		
	AF808R		
	AF810L	W5006600100-01##	FINE SCREEN UPPER SECTION PVC280
	AF810R		
	AF810X		
	AF812R	W5007600100-01##	FINE SCREEN UPPER SECTION PVC315
	AF814R		
	AF816R		
	AF816X	W5008600100-01##	FINE SCREEN UPPER SECTION PVC400
AF818X			

IPB	Model	Catalog No	Description
8.2.2	AF803L	5021640500	SCREEN WHEEL 225 NYLON
	AF804L		
	AF806L		
	AF804X		
	AF806X		
	AF808L		
	AF808R		
	AF810L	5021010600-P	SCREEN WHEEL 280 STEEL
	AF810R		
	AF810X		
	AF812R	5021010700-P	SCREEN WHEEL 315 STEEL
	AF814R		
	AF816R	5021010800-P	SCREEN WHEEL 400 STEEL
	AF816X		
AF818X			
8.2.3	AF800	5172301700	SCREEN BEARING F/SHAFT AF9/800/500B/700/9800N
8.3	AF803L	W5005600300-01##	FINE SCREEN MIDDLE SECTION PVC225
	AF804L		
	AF806L		
	AF804X		
	AF806X		
	AF808L		
	AF808R		
	AF810L	W5006600300-01##	FINE SCREEN MIDDLE SECTION PVC280
	AF810R		
	AF810X		
	AF812R	W5007600300-01##	FINE SCREEN MIDDLE SECTION PVC315
	AF814R		
	AF816R	W5008600300-01##	FINE SCREEN MIDDLE SECTION PVC400
	AF816X		
AF818X			
8.4.	AF803L	E5005600201-01##-01	FINE SCREEN LOWER SECTION PVC225 ASSM
	AF804L		
	AF806L		
	AF804X		
	AF806X		
	AF808L		
	AF808R		
	AF810L	E5006600200-01##-01	FINE SCREEN LOWER SECTION PVC280 ASSM
	AF810R		
	AF810X		
	AF812R	E5007600200-01##-01	FINE SCREEN LOWER SECTION PVC315 ASSM
	AF814R		
	AF816R	E5008600200-01##-01	FINE SCREEN LOWER SECTION PVC400 ASSM
	AF816X		
AF818X			


IPB	Model	Catalog No	Description
8.4.1	AF803L	W5005600201-01##	FINE SCREEN LOWER SECTION PVC225
	AF804L		
	AF806L		
	AF804X		
	AF806X		
	AF808L		
	AF808R		
	AF810L	W5006600200-01##	FINE SCREEN LOWER SECTION PVC280
	AF810R		
	AF810X		
	AF812R	W5007600200-01##	FINE SCREEN LOWER SECTION PVC315
	AF814R		
	AF816R	W5008600200-01##	FINE SCREEN LOWER SECTION PVC400
	AF816X		
AF818X			
9	AF803L	E7103610201-01	COMP D/COLLECTOR 2" PVC 2 NOZZLE AF803L
	AF804L	E7104610400-01	COMP D/COLLECTOR 75 PVC 4 NOZZLE AF804L-8R
	AF806L		
	AF808R		
	AF804X	E7106300600-01	COMP D/COLLECTOR 76 SS304 6 NOZZLE AF804X-10L
	AF806X		
	AF808L		
	AF810L		
	AF810R	E7105300400-01	COMP D/COLLECTOR 3" SS304 4 NOZZLE AF810R
	AF810X	E7105300600-01	COMP D/COLLECTOR 3" SS304 6 NOZZLE AF810X-12R
	AF812R		
	AF814R	E7105300601-01	COMP D/COLLECTOR 3" SS304 6 NOZZLE AF814R-16R
	AF816R		
	AF816X	E7105300602-01	COMP D/COLLECTOR 3" SS304 6 NOZZLE AF816X-18X
AF818X			
9.1	AF803L	5113610100	DIRT COLLECTOR 2" UPPER PLUG AF803L
	AF804L	5114610100	DIRT COLLECTOR 75 UPPER PLUG AF804L-8R
	AF806L		
	AF808R		
	AF804X	5116610100	DIRT COLLECTOR 76 UPPER PLUG AF804X-10L
	AF806X		
	AF808L		
	AF810L		
	AF810R	5115610100	DIRT COLLECTOR 3" UPPER PLUG AF810R-18X
	AF810X		
	AF812R		
	AF814R		
	AF816R		
	AF816X		
AF818X			

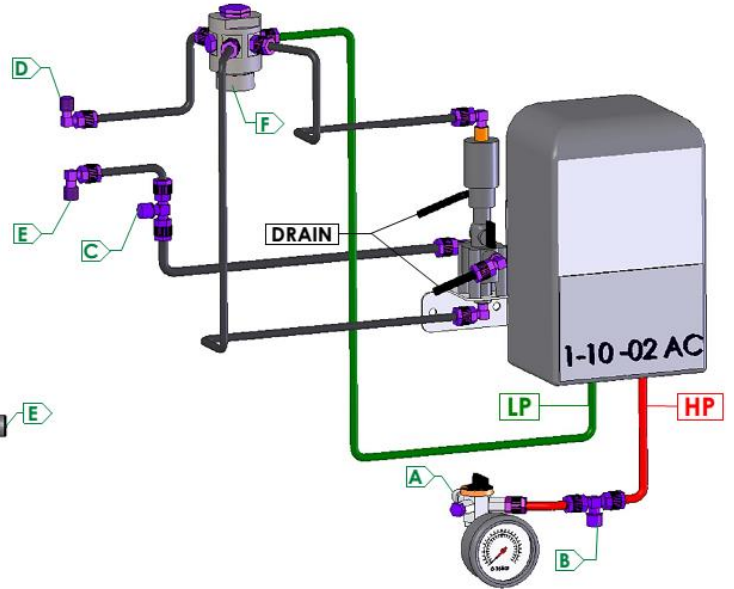
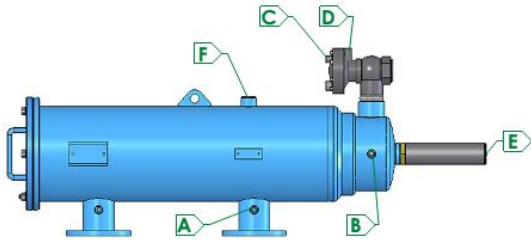
IPB	Model	Catalog No	Description
9.2	AF803L	5131391704	DIRT COLLECTOR SHAFT BRASS 17mm AF803
	AF804L	5131391703	DIRT COLLECTOR SHAFT BRASS 17mm AF804-10L
	AF806L		
	AF804X		
	AF806X		
	AF808L		
	AF808R		
	AF810L	5131391702	DIRT COLLECTOR SHAFT BRASS 17mm AF810R-18X
	AF810R		
	AF810X		
	AF812R		
	AF814R		
	AF816R		
	AF816X		
	AF818X		
9.3	AF804L	5114610300	DIRT COLLECTOR 75 MIDDLE PLUG AF804L-8R
	AF806L		
	AF808R		
	AF804X	5116610300	DIRT COLLECTOR 76 MIDDLE PLUG AF804X-10L
	AF806X		
	AF808L		
	AF810L	5115610300	DIRT COLLECTOR 3" MIDDLE PLUG AF810R-18X
	AF810R		
	AF810X		
	AF812R		
	AF814R		
	AF816R		
	AF816X		
AF818X			
9.4	AF804-18	5110390400	DIRT COLLECTOR SHAFT TIGHTENING NUT AF804-818
9.5	AF803L	4102043003-016	ATTACHMENT SCREW NC10*5/8" FLAT HEAD SS304
	AF804L		
	AF806L		
	AF808R		
	AF804X	4102043003-019	ATTACHMENT SCREW NC10*3/4" FLAT HEAD SS304
	AF806X		
	AF808L		
	AF810L		
	AF810R		
	AF810X		
	AF812R		
	AF814R		
	AF816R		
	AF816X		
AF818X			

IPB	Model	Catalog No	Description
9.6	AF804-18	4102043002-019	ATTACHMENT SCREW NC10*3/4" OVAL HEAD SS304
9.7	AF803L	5121610314	SUCTION NOZZLE AF803L
	AF804L	5121610312	SUCTION NOZZLE AF804L-8R
	AF806L		
	AF808R		
	AF804X	5121610313	SUCTION NOZZLE AF804X-10L
	AF806X		
	AF808L		
	AF810L		
	AF810R	5121610403	SUCTION NOZZLE AF810R-12R
	AF810X		
	AF812R	5121610404	SUCTION NOZZLE AF814R-16R
	AF814R		
	AF816R		
	AF816X	5121610405	SUCTION NOZZLE AF816X-18X
AF818X			
9.8	AF803L	5113610200	DIRT COLLECTOR 2" LOWER PLUG AF803L
	AF804L	5114610200	DIRT COLLECTOR 75 LOWER PLUG AF804L-8R
	AF806L		
	AF808R		
	AF804X	5116610200	DIRT COLLECTOR 76 LOWER PLUG AF804X-10L
	AF806X		
	AF808L		
	AF810L		
	AF810R	5115610200	DIRT COLLECTOR 3" LOWER PLUG AF810R-18
	AF810X		
	AF812R		
	AF814R		
	AF816R		
	AF816X		
AF818X			
10	AF803L	W5143610200-01	HYDRAULIC MOTOR PVC AF803
	AF804L	W5144610200-01	HYDRAULIC MOTOR PVC AF804L-8R
	AF806L		
	AF808R		
	AF804X	W5146320200-01	HYDRAULIC MOTOR SS304 AF804X-10L
	AF806X		
	AF808L		
	AF810L		
	AF810R	W5145320200-01	HYDRAULIC MOTOR SS304 AF810R
	AF810X	W5145320201-01	HYDRAULIC MOTOR SS304 AF810X-18
	AF812R		
	AF814R		
	AF816R		
	AF816X		
AF818X			


IPB	Model	Catalog No	Description
11	AF803L	W5173390000-01	DIRT COLLECTOR HEAD BEARING BRASS AF803
	AF804-18	W5173390001-01	DIRT COLLECTOR HEAD BEARING BRASS AF804-18
12	AF800	5293113007-029	STUD 5/16"NC*29 SS304
13	AF800	4112113901	NUT 5/16"NC BRASS
14	AF803L	E7160403000	HYD PISTON 40 SS304 AF803/9800
	AF804-18	E7160503000	HYD PISTON 50 SS304 AF800
14.1	AF800	4081056100-331	O-RING 331
15	AF800	E4510020003-07	COMP HYDRAULIC VALVE DOROT GALIL 09AN 2"BSP
16	AF803L-10L	E5412036301-01	SHORT DISTRIBUTOR DELRIN ASSM
	AF810R-18	E5412036302-01	DOUBLE DISTRIBUTOR DELRIN ASSM
16.1	AF800	4081034100-126	O-RING 126
16.2	AF810R-18	4470030300	DIAMOND VALVE DOROT 10 Bar 25-300 3/8"
17	AF800	CS11010015	PRESSURE GAUGE SET AF800/9800/500
18	AF800	4640314002	PLUG 1/4" PLASTIC
19	AF800	4640214082	MALE BRANCH T 8*1/4"*8 PLASTIC
20	AF800	4640618082	MALE ELBOW 1/8"*8 PLASTIC
21	AF800-DC	CSD1100112100	CONTROLLER 1-10 DC + 1 SOLENOID COMPLETE
	AF800-AC	CSA1100114100	CONTROLLER 1-10 AC + 1 SOLENOID COMPLETE
21.1	AF800-DC	4430010902	SOLENOID DCL GALSOL 2W
	AF800-AC	4430030901	SOLENOID AC GALSOL 24V
21.2	AF800-DC	4440211002	CONTROLLER 1-10 DC 2 PORTS + DP
	AF800-AC	4440311002	CONTROLLER 1-10 AC 2 PORTS + DP
21.2.1	AF800-DC	4450110200	EXPENSION CARD FOR 1-10 DC CONTROLLER
	AF800-AC	4450110300	EXPENSION CARD FOR 1-10 AC CONTROLLER

AF800-AC Control System

The symbol **KEY** , with letter inside, sign the connection port on the filter with accordance to the letter.



AF800-DC Control System

The symbol **KEY** , with letter inside, sign the connection port on the filter with accordance to the letter.

