

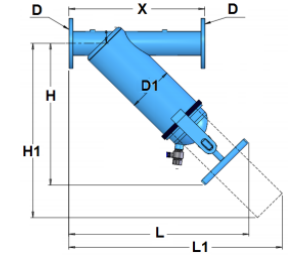
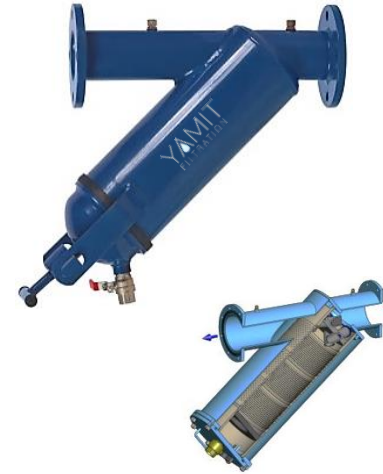
Applications: In-line control filter

Standard Characteristics:

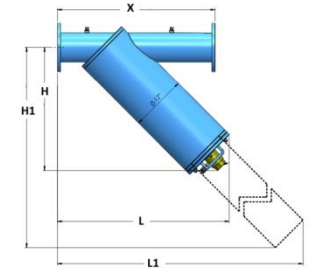
- **Filter element:** - Stainless Steel screen AISI 316, supported by a PVC cylinder
- **Available filtration grade:** from 80 micron (200 mesh)
- **Filter housing construction material:** Carbon Steel ST37.2
- **Pre-treatment:** sand blasting up to Sa 2.5 grade
- **Exterior & Interior coating:** electrostatic oven baked polyester-epoxy powder coating with a thickness of 150-200 micron (100-80 mesh)
- **Connections:** Victaulic, Threaded socket and Flange
- **Maximum pressure:** 10 bar (145 psi)
- **Maximum recommended working pressure:** up to 8 bar (116 psi).
- **Optional:** automatically controlled drainage valve (programmed by time)

Operation:

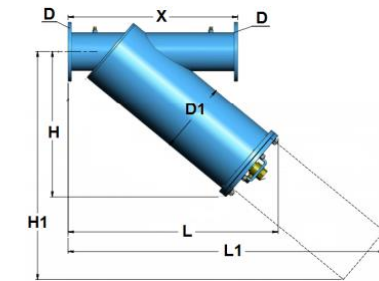
The water enters the filter through a plate with four or six (4 or 6) angular holes, directing the flow in a circular pattern along the length of the filter element. The water flows through the screen element openings while solid particles are collected at the lower section of the filter. These particles can be easily removed by opening the drain valve for a short period of time. The filters are supplied with 4-6 plugs enabling the user to adjust the number of holes to suit the filtering flow rate.



Model: F415 - F430



Model: F460

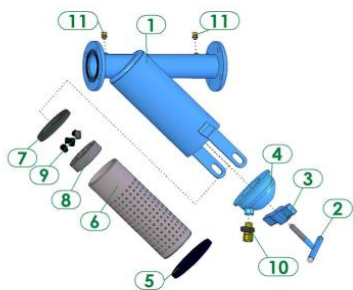


Model: F480-F410

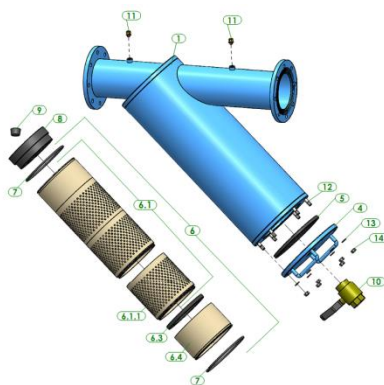
Model	In/Out ØD		ØD1	X		H		H1		L		L1		Shipping Weight		Packaging Vol.		Maximum Flow Rate		Screen area	
	(mm)	(in)		(in)	(mm)	(in)	(mm)	(in)	(mm)	(in)	(mm)	(in)	(mm)	(in)	(kg)	(lb)	(m3)	(ft3)	(m ³ /h)	(GPM)	(cm ²)
F415	30	1.5	6	360	14.2	419	16.5	426	16.8	520	20.5	528	20.8	14.5	32	0.6x0.4x0.3	2.1x1.4x0.9	3-10	13-44	549	85
F420	50	2	6	415	16.3	459	18.1	509	20.0	574	22.6	622	24.5	15.5	34	0.6x0.4x0.3	2.1x1.4x0.9	11-28	48-123	896	139
F430	75	3	6	490	21.3	519	20.4	638	25.1	641	25.3	765	30.1	29.9	66	0.7x0.6x0.3	2.2x1.8x0.9	12-39	53-172	1188	184
F440	100	4	8	550	21.7	582	22.9	789	31.1	726	28.6	933	36.7	43.6	96	0.8x0.6x0.3	2.8x2.1x1.1	18-70	80-308	1734	269
F460	150	6	12	910	35.8	782	30.8	1092	43.0	980	38.6	1397	55.0	117	258	1.2x0.8x0.4	4.1x2.5x1.5	31-210	136-925	3707	575
F480	200	8	16	950	37.4	832	39.4	1407	55.4	1176	50.4	1893	74.5	190	419	1.3x0.9x0.7	4.1x3.1x2.1	163-299	720-1320	4778	741
F410	250	10	16	950	37.4	1110	43.7	1920	75.6	1365	53.7	2210	87.0	210	463	1.3x0.9x0.7	4.1x3.1x2.1	270-500	1189-2202		

Components Description & Spare Parts ordering information

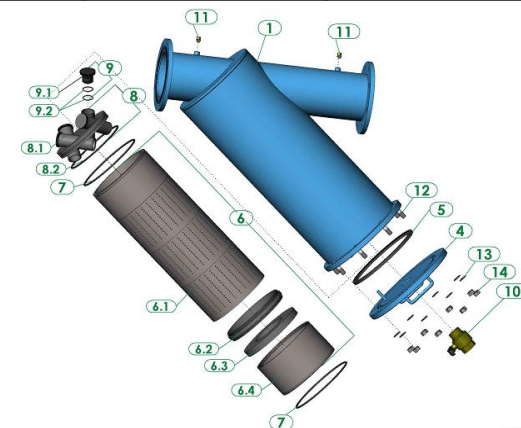
Description		Model					
		F415 (1.5")	F420 (2")	F430 (3")	F440 (4")	F460 (6")	F480 (8")
Filter model		F415 (1.5")	F420 (2")	F430 (3")	F440 (4")	F460 (6")	F480 (8")
Filter body diameter		6"	6"	6"	8"	12"	16"
1	Filter body	N/A	N/A	N/A	N/A	N/A	N/A
2	Tightening Handle	E6020106000	E6020106000	E6020106000	E6020106000		
3	Tightening bracket	6012006000-P	6012006000-P	6012006000-P	6012108000-P		
4	Cover	W5234202001-01P	W5234202001-01P	W5234202001-01P	W5320010800-01P	W5331011201-04-01	W5331011603-01P
5	Cover gasket	5312140100-180	5312140100-180	5312140100-180	5312160100-170	5311250100	5311450100
6	Fine Screen	W5002600402-01	W5003600404-01	W5003600405-01	W5004600403-01	E7005603005-01##-01	E7007603000-01
6.1	Fine Screen PVC					E5005600300-01##-01	E7007603000-01
6.1.1	Fine Screen Middle Section VC225					W5005600300-01##	
6.2	Flushing Chamber Adaptor						5007601001
6.3	Flushing Chamber Plate					5392610009	5023610700
6.4	Flushing Chamber PVC					5005601016	E5007601100-01
7	Screen Gasket	5312140100-290	5312140100-190	5312140100-190	5312160100-160	4081202100-445	4081291100-452
8	Circulating Plate PVC	5024610200	5024610300	5024610300	5024610400	5024610500	E5024610700-01
8.1	Circulating Plate PVC						W5024610700-01
8.2	O-RING						4081266100-450
9	Rubber Plug for Circ. Plate	5312010100-220	5312021100-230	5312021100-230	5312023100-240	5312000600-430	E6076204900-01
9.1	PVC Plug for Circulating Plate						6076204900
9.2	O-RING						4081040100-223
10	Ball Valve	4504007100-01	4504007100-01	4504007100-01	4504007100-01	4504020100-01	4504020100-01
11	Pressure Testing Port	E5412023901-01	E5412023901-01	E5412023901-01	E5412023901-01	E5412023901-01	E5412023901-01
12	Bolt Hex. Galvanized					5292143001-048	5292183007-073
13	Washer Galvanized					4122140301	4122180402
14	Nut					4112140301	4112180301



Model: F415, F420, F440



Model: F460



Model: F480

Pressure loss at 120 micron

