

Applications:

Semi-automatic compact suction filters with a 90° inlet/outlet

Standard Characteristics:

- **Filter element:** - Stainless Steel screen AISI 316, supported by a PVC cylinder .
- **Available filtration grades:** from 120 micron
- **Filter housing material of construction:** Carbon Steel ST37.2
- **Pre-treatment:** sand blasting up to Sa 2.5 grade
- **Exterior & Interior coating:** electrostatic oven baked polyester-epoxy powder coating with a thickness of 150-200 micron
- **Connections:** Victaulic, Threaded socket and Flange
- **Maximum recommended working pressure:** up to 10 bar (145 psi).
- **Minimum operating working pressure during flushing:** 1 bar (14.5 psi)
- Equipped with a mechanical DP which indicates when the pressure difference of 5m is exceeded
- **Clean screen pressure loss:** up to 0.1 bar (1.45psi)

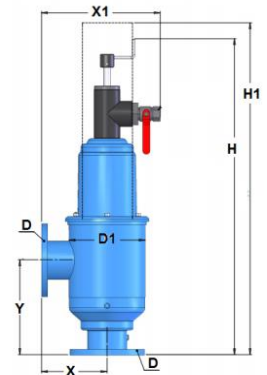


Operation:

Water flows through the inlet along and through the cylindrical screen trapping the solids on the screen. The filter can be manually cleaned while still pressurized and without removing the screen. The operator cleans the screen by opening the flush valve and turning the handle, fully up and the back down. As a result the suction nozzles traverse the entire screen removing trapped debris. The whole process takes a few seconds.

Model	In/Out D (mm) (in)		D1 (in)	X (mm) (in)		X1 (mm) (in)		Y (mm) (in)		H (mm) (in)	H1 (mm) (in)	Shipping Weight (kg) (lb)		Packaging Volume (m) (ft)			
	mm	in		mm	in	mm	in	mm	in			kg	lb	m	ft		
SA502C	50	2	6	123	4.83	270	10.62	174	6.9	590	23.2	637	25.1	12	26	0.3x0.3x0.6	0.98x0.98x1.96
SA503C	75	3	6	164	6.46	307	12.07	197	7.7	790	31.1	849	33.4	24	53	0.3x0.3x0.8	0.98x0.98x2.62
SA504C	100	4	8	190	7.46	343	13.90	280	11.0	933	36.7	980	38.6	30	66	0.35x0.35x0.97	1.14x1.14x3.18

Model	In/Out D (mm) (in)		Maximum Flow Rate (m ³ /h) (GPM)		Flushing Flow rate (m ³ /h) (GPM)		Screen Area (cm ²) (in ²)	
	mm	in	m ³ /h	GPM	m ³ /h	GPM	cm ²	in ²
SA502C	50	2	25	110	6	26	740	115
SA503C	75	3	45	200	8	35	1480	229
SA504C	100	4	80	350	8	35	1480	229

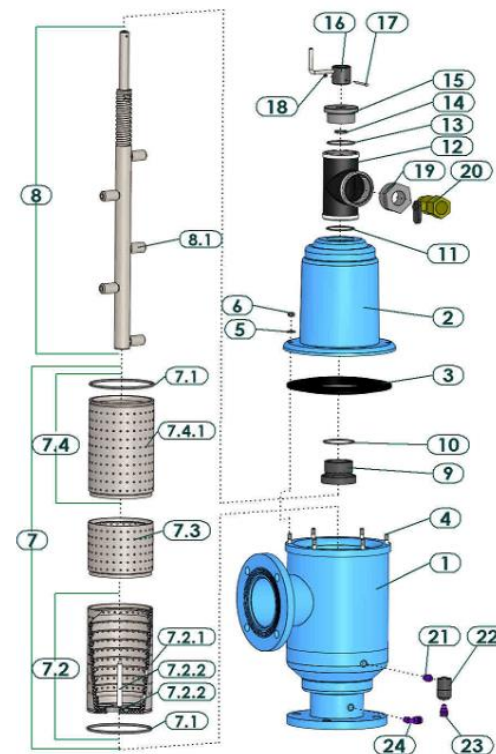


Components Description & Spare Parts ordering information

Description		Filter Model		
		SA502C	SA503C	SA504C
1	Filter Body	N/A	N/A	N/A
2	Filter cover	N/A	N/A	N/A
3	Gasket for body	5311150100	5311150100	5311150100
4	Bolt / stud	4102113001-030	4102113001-030	5292113001-029
5	Washer	4121083001	4121083001	4121083001
6	Nut	4112110401	4112110401	4112110401
7	Fine Screen	E7003601003-01##	E7003602004-01##	E7003603000-01##
7.1	O-Ring	4081126100-250	4081126100-250	4081126100-250
7.2	Fine Screen	E7003601003-01##	E5003600101-01##-01	E5003600101-01##-01
7.2.1	Fine Screen	W5003600406-01##	W5003600101-01##	W5003600101-01##
7.2.2	Screen wheel	5021610300	5021610300	5021610300
7.2.3	Centralize shaft for Dirt Collector	5131301002	5131301002	5131301002
7.3	Fine screen middle section	---	---	W5003600301-01##
7.4	Fine screen lower section	---	E5003600201-01##-01	E5003600201-01##-01
7.4.1	Fine screen lower section	---	W5003600201-01##	W5003600201-01##
8	Dirt collector	E7101610202-01	E7101610401-01	E7101610501-01
8.1	Suction Nozzle	5121610102	5121610102	5121610102
9	Spiral drive Nut	6156102000	6156102000	6156102000
10	O-Ring	4081063100-230	4081063100-230	4081063100-230
11	O-Ring	4081050100-226	4081050100-226	4081050100-226
12	T PP + rings	4190206500	4190206500	4190206500
13	O-Ring	4081053100-138	4081053100-138	4081053100-138
14	O-Ring	4081020100-211	4081020100-211	4081020100-211
15	Upper Plug	6076102000	6076102000	6076102000
16	Driving handle	E6043000001	E6043000001	E6043000001
17	Bolt / stud	4101043001-045	4101043001-045	4101043001-045
18	Nylock nut	4111043002	4111043002	4111043002
19	Bushing	4230206501	4230206502	4230206503
20	Ball valve	4504005100-01	4504007100-01	4504010100-01
21	nipple	4640514182	4640514182	4640514182
22	Pressure indicator	E5412056300	E5412056300	E5412056300
23	Male connector	4640714085	4640714085	4640714085
24	Male Elbow	4640614082	4640614082	4640614082

Warnings! Important safety instructions: * Maximum pressure is 8 bar. * Do not open the filter cover without first performing the following actions:

1. Close both the inlet and outlet valves.
2. Open the filter drain and be certain that the filter is fully drained and the pressure is 0.
3. The filter cover can now be carefully opened.



Pressure loss at 120 micron

